

Parts Catalog
Rider Sweeper
Armadillo 6X (Diesel, Gas, & LPG)
AM7D-III (Diesel)



PREFACE

Thank you for your purchase of the now industry standard for sweepers. PowerBoss® takes great pride in offering the most dependable, reliable and best value in industrial power sweepers and sweeper/scrubbers. We set the standard.

Our Customer Service Department would like to hear from you. If you see any errors, omissions or something that needs clarification in this Parts Catalog, please let us know. We are working hard towards continually improving our processes to bring you the best you deserve. Please copy the form below, fill out and comment on how you found our catalog.

Thank you.
The PowerBoss Team

Name _____

Title: _____

Company Name: _____

Address: _____

Country: _____

Type of equipment or model number: _____

Comments: _____

Please return to:
Customer Service Manager
PowerBoss®, Minuteman International, Inc.
14N845 U.S. Route 20
Pingree Grove, Illinois 60140 USA

Phone: (800) 323-9420
Email: tech@powerboss.com

This is the Parts Catalog for the PowerBoss® Armadillo 6X and PowerBoss® AM7D-III machines.

This Catalog covers the standard Armadillo 6X & AM7D-III variations beginning, October 2014.

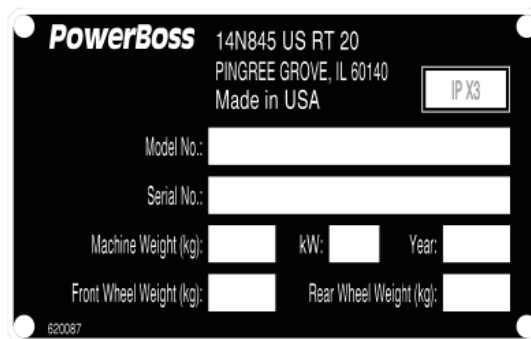
We believe this machine will provide excellent service for many years. Best results will be obtained if:

- The machine is operated with reasonable care.
- The machine is maintained regularly per the maintenance schedule provided in the User Manual.
- The machine is maintained with PowerBoss® supplied or equivalent parts.

All right side and left side references to the machine (except for engine) are determined by facing the direction of forward travel. The front of the engine or engine fan faces the rear of the machine. Some hardware considered to be common or locally available has been omitted from the parts section to make this manual clear. Be sure to use equivalent hardware when replacement becomes necessary.

The Model and Serial Number of your machine is shown on the I.D. name plate. This information is needed when contacting Technical Support or when ordering parts. The I.D. plate is mounted on the console of the machine left of the operator. Adjacent the main broom adjustment access door.

Example I.D Plate:



Parts may be ordered by phone, fax or email from any PowerBoss® parts and service center. Before ordering parts or supplies, be sure to have your machine model number and serial number handy. For your convenience Fill out the data block below for future reference.

MACHINE DATA	
Fill out at installation	
Serial Number:	_____
Engine Serial Number:	_____
Sales Rep.:	_____
Date of Install:	_____

All information contained in this catalog is current at the time of printing. Minuteman International, Inc. reserves the right to make changes at any time without notice.

PowerBoss®, Minuteman International, Inc., Copyright 2014, Printed in USA

TECHNICAL SPECIFICATIONS

Model/Model No.: Armadillo 6X: SW6XKDSL (Diesel), SW6XKGAS (Gas), SW6XKLPG (LPG)
AM7D-II (Diesel)

DIMENSIONS & WEIGHT

Length 79 inches (200 cm)
Width 53 inch (135 cm)
Height 53 inch (135 cm)
Height w/ overhead guard 79.5 inch (202 cm)
Weight 2547 lbs (1155 kg)
Minimum U-turn 82 inch (208 cm)

SWEEPING SYSTEM

Sweep path 53 inch (135 cm)
Main broom 36 inch (91 cm)
Side broom 24 inch (61 cm)
Hopper type high dump
Hopper volume 10 cu ft (.28m²)
Hopper load capacity 650 lbs (295 kg)
Dust control 92 sq ft (8.6 m²)
High dump 60 inch (152 cm)
RTR (rotary trash relocation) . . . yes

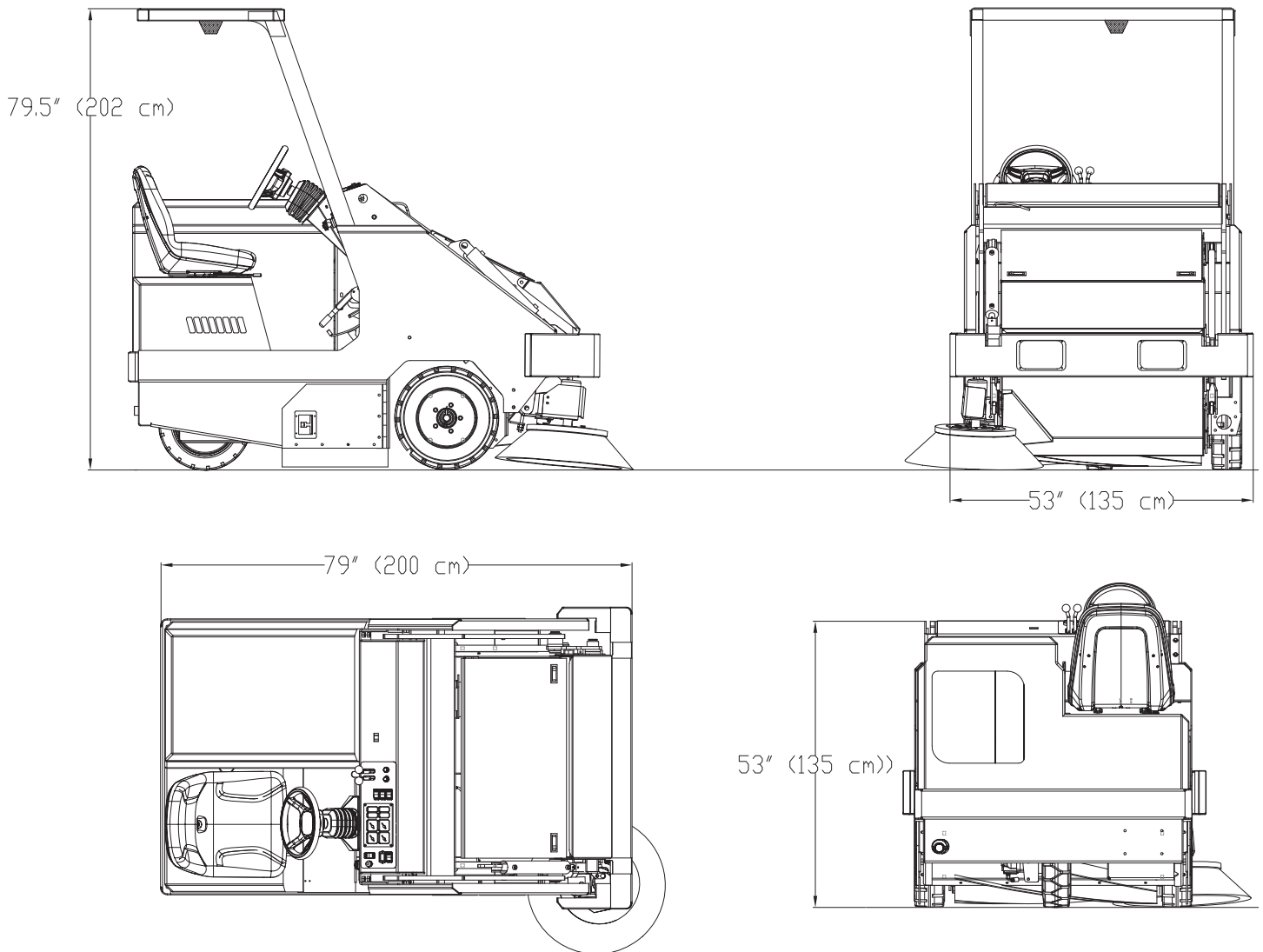


TABLE OF CONTENTS

PREFACE 2

TECHNICAL SPECIFICATIONS 4

 DIMENSIONS & WEIGHT 4

 SWEEPING SYSTEM 4

NOTES 7

PARTS BREAKDOWN 8

 FRAME 8

 ELECTRICAL PLATE 10

 INSTRUMENT PANEL 12

 AXLE, BRAKES AND WHEEL ASSEMBLY 14

 3318673 FRONT AXLE ASSEMBLY 16

 BATTERY 18

 MAIN BROOM DOOR 20

 ENGINE COVER 22

 DIRECTION CONTROL ASSEMBLY 24

 DIRECTION LINK GROUP (DIESEL) 26

 DIRECTION LINK GROUP (GAS/LP) 27

 BUMPER 28

 HOPPER 30

 HOPPER HOOD AND LID ASSEMBLIES 32

 CONTROL VALVE 34

 HYDRAULIC MANIFOLD ASSEMBLY 36

 HYDRAULIC MANIFOLD 38

 HYDRAULIC RESERVOIR 40

 IMPELLER 42

 GASKET MOUNT 44

 LIFT ARM PART 1 46

 LIFT ARM PART 2 50

 MAIN BROOM ASSEMBLY 52

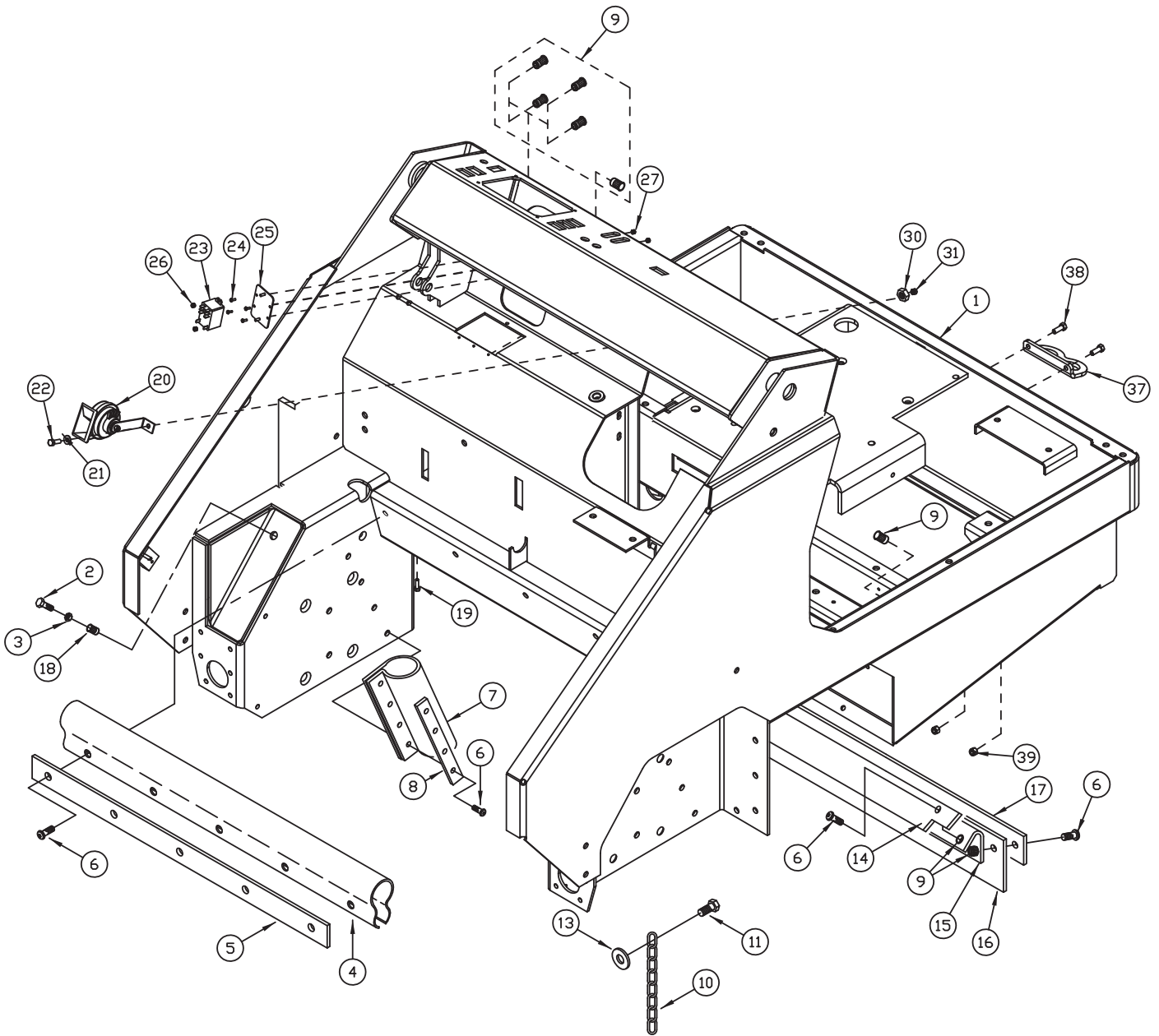
 SIDE BROOM ASSEMBLY 56

 SIDE BROOM ACTUATOR 58

STEERING ASSEMBLY	60
TILT STEERING ASSEMBLY	62
FUEL TANK - GAS AND DIESEL	64
RADIATOR COMPONENTS - 661141/DSL - 661187/LP_GAS - PAGE 1.....	66
RADIATOR COMPONENTS - 661141/DSL - 661187/LP_GAS - PAGE 2.....	67
RADIATOR COMPONENTS - 661141/DSL - 661187/LP_GAS - PAGE 3.....	68
RADIATOR COMPONENTS - 661141/DSL - 661187/LP_GAS - PAGE 4.....	69
DECAL LAYOUT	70
BROOM PARTS BREAKDOWN	72
MAIN AND SIDE BROOMS.....	72
OPTIONS	74
OPTIONAL LEFT SIDE BROOM ASSEMBLY.....	74
OPTIONAL LEFT SIDE BROOM	76
ELECTRONIC SCHEMATIC 3338222 (REV.B).....	78
ELECTRONIC SCHEMATIC 3338222 (REV. B)	79
HYDRAULIC SCHEMATIC 3338146 (REV. E).....	80
WARRANTY.....	81

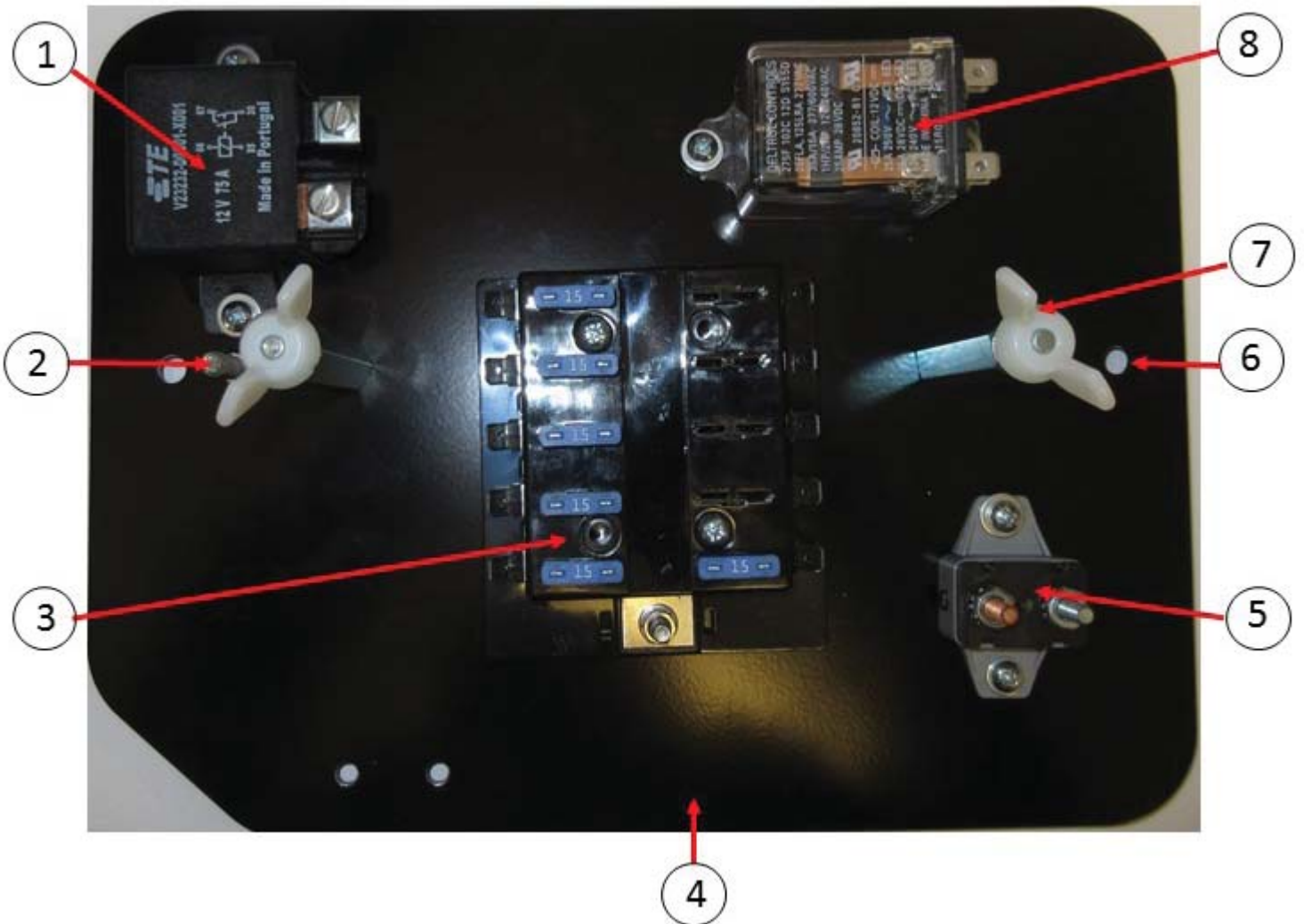
NOTES

PARTS BREAKDOWN
FRAME



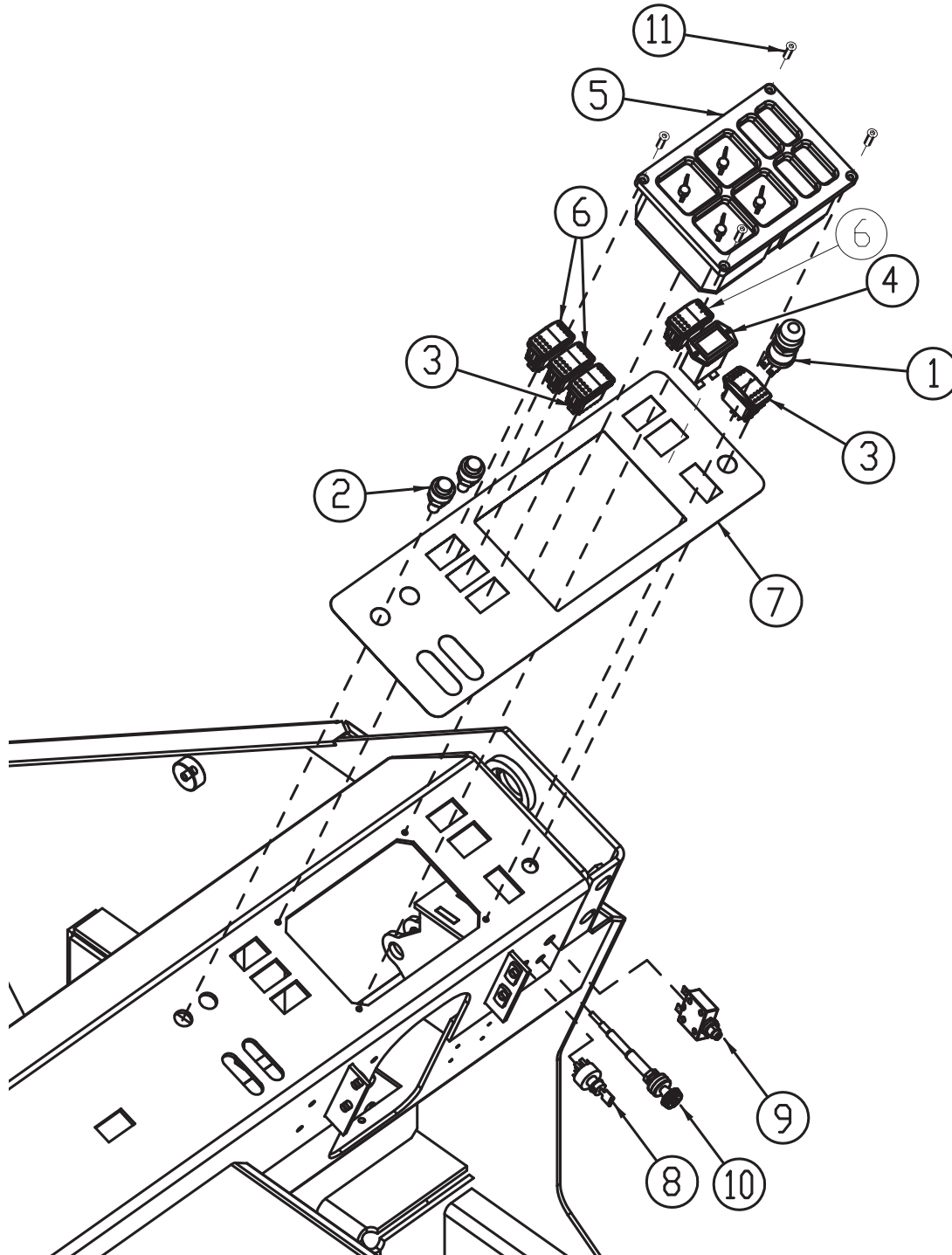
FRAME			
ITEM	PART NO.	QTY	DESCRIPTION
1	3338082M	1	WELD—FRAME
4	3311123	1	SEAL—FRAME FRONT
5	3311417	1	BAR—RETAINER FRONT SEAL PLTD
6	3400444	13	SCR-FHSCS 3/8-16 X 1.00 ZP
7	3311413	2	SEAL—HOPPER SIDE
8	3311414	2	BAR—SEAL RETAINER PLTD
9	3322186	16	INSERT—3/8-16 UNC
10	3307658	1	CHAIN—GROUNDING ARMA
11	3400028	1	SCR-HH 3/8-16 X 1.50 ZP GR 5
13	3400087	2	WASHER-FLAT 3/8 ZP
14	3318572	1	FLAP—BROOM CHAMBER
15	3318571	1	ANGLE—REAR FLAP
16	3318573	1	FLAP—BROOM CHAMBER
17	3318574	1	RETAINER—REAR FLAP
20	3300379	1	HORN-12V STANDARD AUTOMOTIVE
21	3400273	1	WASHER-INT LOCK 5/16 ZP
22	3400035	1	SCREW-HEX,5/16-18X1.00 ZP
23	748961	1	RELAY, DPDT 12VDC 35A
24	711502	4	WASHER-FLAT #8 ZP
25	661127	1	PLATE, ELECTRICAL COMP - 6X
26	710330	2	SCR-PHMS 8-32 X .62 ZP
27	711372	2	NUT-NYLOC 8-32 ZP
30	3400384	1	WASHER-CONICAL SPRING 5/16
31	711379	1	NUT-FLANGED WIZZ 5/16-18 ZP
38	711250	2	SCR-HH 3/8-16 X 1.25 ZP GR 5
39	711380	2	NUT-NYLOC 3/8-16 ZP

ELECTRICAL PLATE



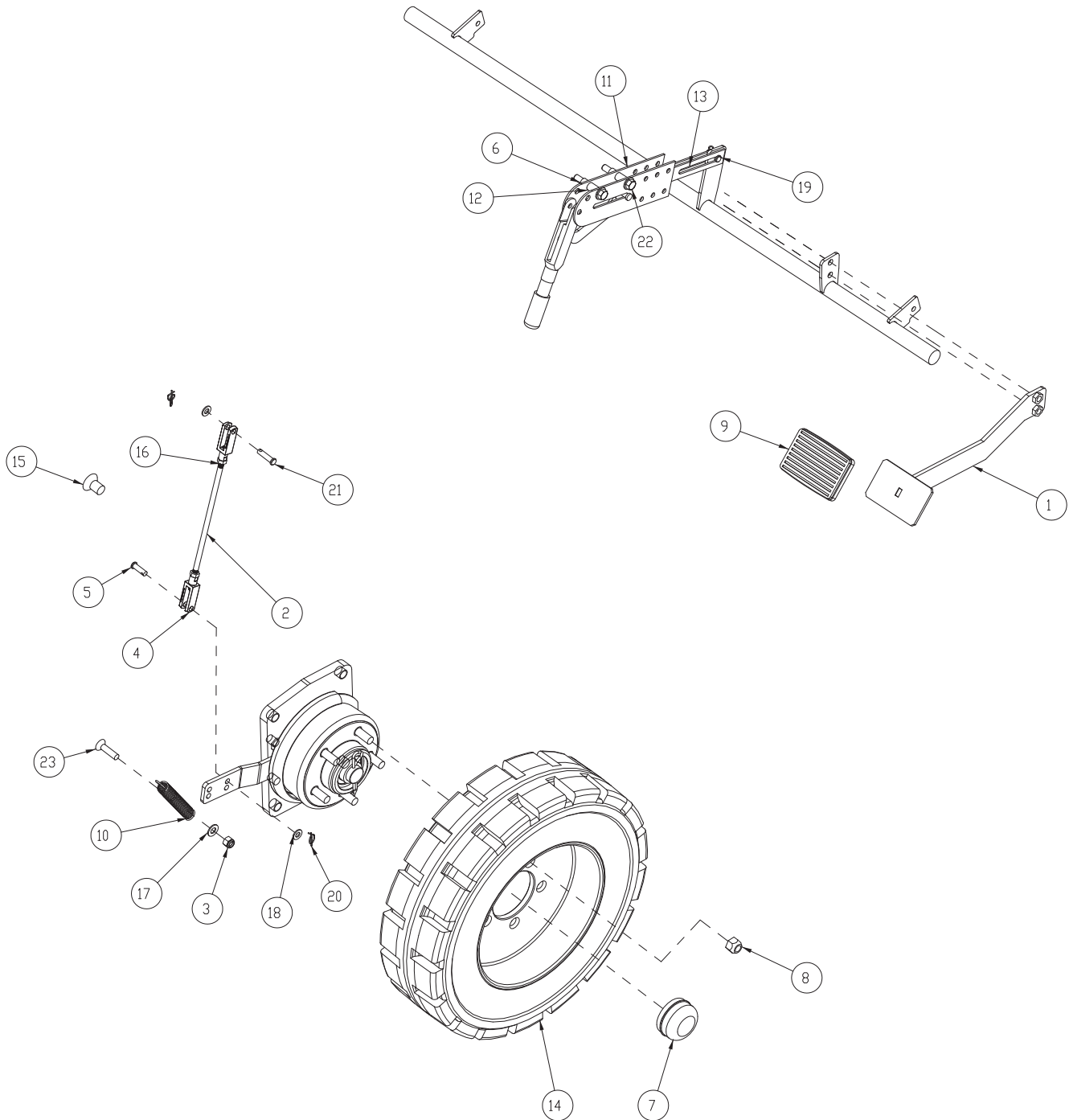
ELECTRICAL PLATE				
ITEM	PART NO.	MOUNTING HARDWARE	QTY	DESCRIPTION
1	740972		1	RELAY-12V 75A AUTOMOTIVE (DSL ONLY)
		710330	2	SCR-PHMS 8-32 X .62 ZP
		711502	4	WASHER-FLAT #8 ZP
		711372	2	NUT-NYLOC 8-32 ZP
2			1	GROUND STUD (PART OF ITEM #4)
		711564	1	WASHER-EXT LOCK 1/4 ZP
		3400089	1	WASHER-FLAT 1/4 ZP
		711373	1	NUT-NYLOC 1/4-20 ZP
3	3322599		1	FUSE BLOCK-ATO FUSE
		710362	2	SCR-RHMS 10-32 X 1.25 ZP
		3400172	2	NUT-JAM 10-32 ZP NYLOC
		711502	2	WASHER-FLAT #8 ZP
4	661127		1	PLATE, ELECTRICAL COMP - 6X
5	747042		1	CIRCUIT BREAKER, 20 AMP
		710330	2	SCR-PHMS 8-32 X .62 ZP
		711502	4	WASHER-FLAT #8 ZP
		711372	2	NUT-NYLOC 8-32 ZP
		748963	1	CIRCUIT BREAKER BOOT (NOT SHOWN)
6				
		3400149	2	SCR-HH 1/4-20 X 1.50 ZP GR 5 PART THRD
		3400089	2	WASHER-FLAT 1/4 ZP
		3303552	2	SLEEVE-HAND BRAKE ZP
		3400089	2	WASHER-FLAT 1/4 ZP
		711373	2	NUT-NYLOC 1/4-20 ZP
7	731236		2	STANDOFF, PANEL, 1/4-20 X 2.38 LG ZINC
		711202	2	SCR-HH 1/4-20 X .50 ZP
		3400089	2	WASHER-FLAT 1/4 ZP
		711563	2	NUT-WING 1/4-20 NYLON
8	748961		1	RELAY, DPDT 12VDC 35A
		710330	2	SCR-PHMS 8-32 X .62 ZP
		711502	4	WASHER-FLAT #8 ZP
		711372	2	NUT-NYLOC 8-32 ZP

INSTRUMENT PANEL



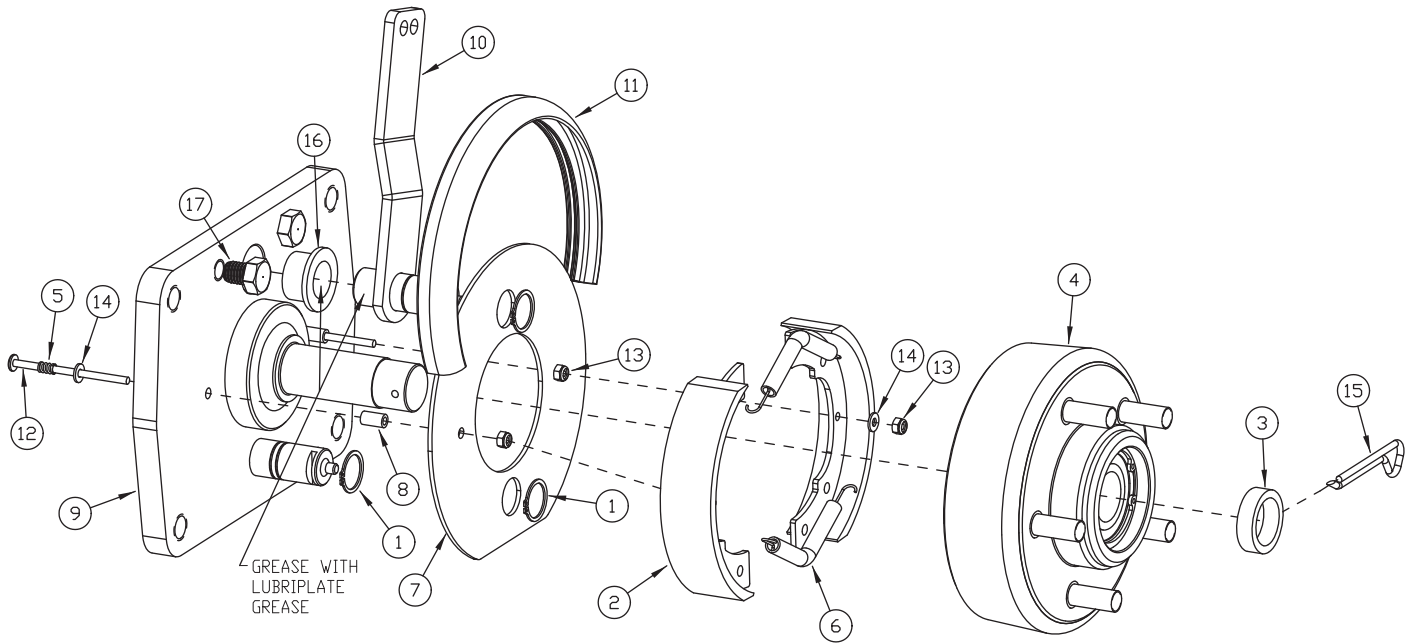
INSTRUMENT PANEL			
ITEM	PART NO.	QTY	DESCRIPTION
1	3300441	1	HORN SWITCH
2	3342905	2	INDICATOR LIGHT RED - TRASH RELOCATOR
3	3311993	2	SWITCH - ROCKER PANEL
4	3336094	1	GAUGE - HOURMETER DIGITAL, 8-32VDC
5	3315914	1	GAUGE PANEL - STEWART WARNER 4GC
6	3318514	3	SWITCH - SPDT ROCKER
7	661088	1	DECAL, DASHBOARD, 6X
8	747040	1	SWITCH-IGNITION 4 POSITION
9	3026924	1	CIRCUIT BREAKER - 45AMP
10	3313077	1	CABLE-CHOKE SW/62 GAS & LP
	3321179	1	CABLE-THROTTLE AM7D-II
11	3401666	4	SCR-FHSCS #10-32 X 1.00 ALLOY ZP

AXLE, BRAKES AND WHEEL ASSEMBLY



AXLE, BRAKES AND WHEEL ASSEMBLY			
ITEM	PART NO.	QTY	DESCRIPTION
1	661282	1	WELDMENT, BRAKE PEDAL, 6X
2	661112	1	ROD - 5/16-24 X 10-5/8, SSTL
3	711380	1	NUT-NYLOC 3/8-16 ZP
4	713627	2	CLEVIS-5/16 PLTD, TURNBUCKLE
5	881002	1	PIN-CLEVIS 5/16 X 1.00 ZINC
6	3300339	2	SLEEVE-SQ & FWD/REV
7	3300369	1	CAP-HUB, 2.44" DIA, ZP
8	3300411	1	NUT-WHEEL LUG, 1/2-20 X 5/8 60 DEGREE UN
9	3300413	1	PAD-RUBBER BRAKE PEDAL
10	3301517	1	SPRING-EXT BRAKE LEVER
11	3303169	1	LEVER-HAND BRAKE
12	3307241	2	SPACER-HAND BRAKE, ZP SW/A
13	3311102	2	BAR-PARKING BRAKE PAINTED
14	3318597	1	WHEEL-5.00 X 8 X 18" MOLDED
15	3400011	1	SCR-FHSCS 5/8-11 X 1.00 ZP
16	3400069	2	NUT-HEX 5/16-24 ZP
17	3400087	1	WASHER-FLAT 3/8 ZP
18	3400088	3	WASHER-FLAT 5/16 X.688 X .065 ZP
19	3400118	1	PIN-CLEVIS 5/16 X .875 ZP
20	3400125	3	RING-RUE 3/8
21	3400185	1	PIN-CLEVIS 5/16X1-1/4 ZP
22	3400339	2	SCR-HH 3/8-16 X 2.25 SS PARTIAL THREAD
23	3400997	1	SCR-FHSCS 3/8-16 X1.50 ZP GR 8

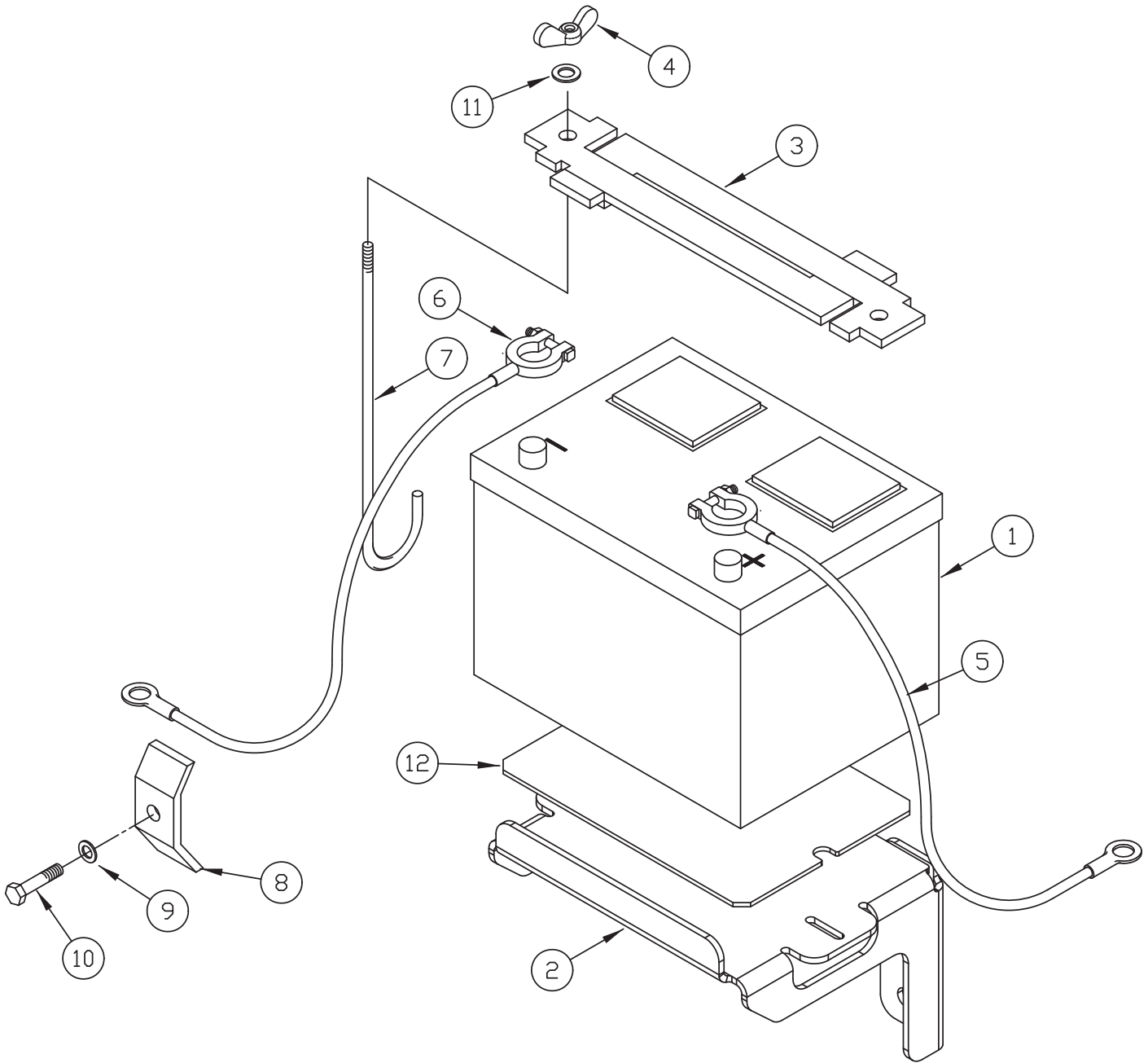
3318673 FRONT AXLE ASSEMBLY



3344070 FRONT AXLE ASSEMBLY

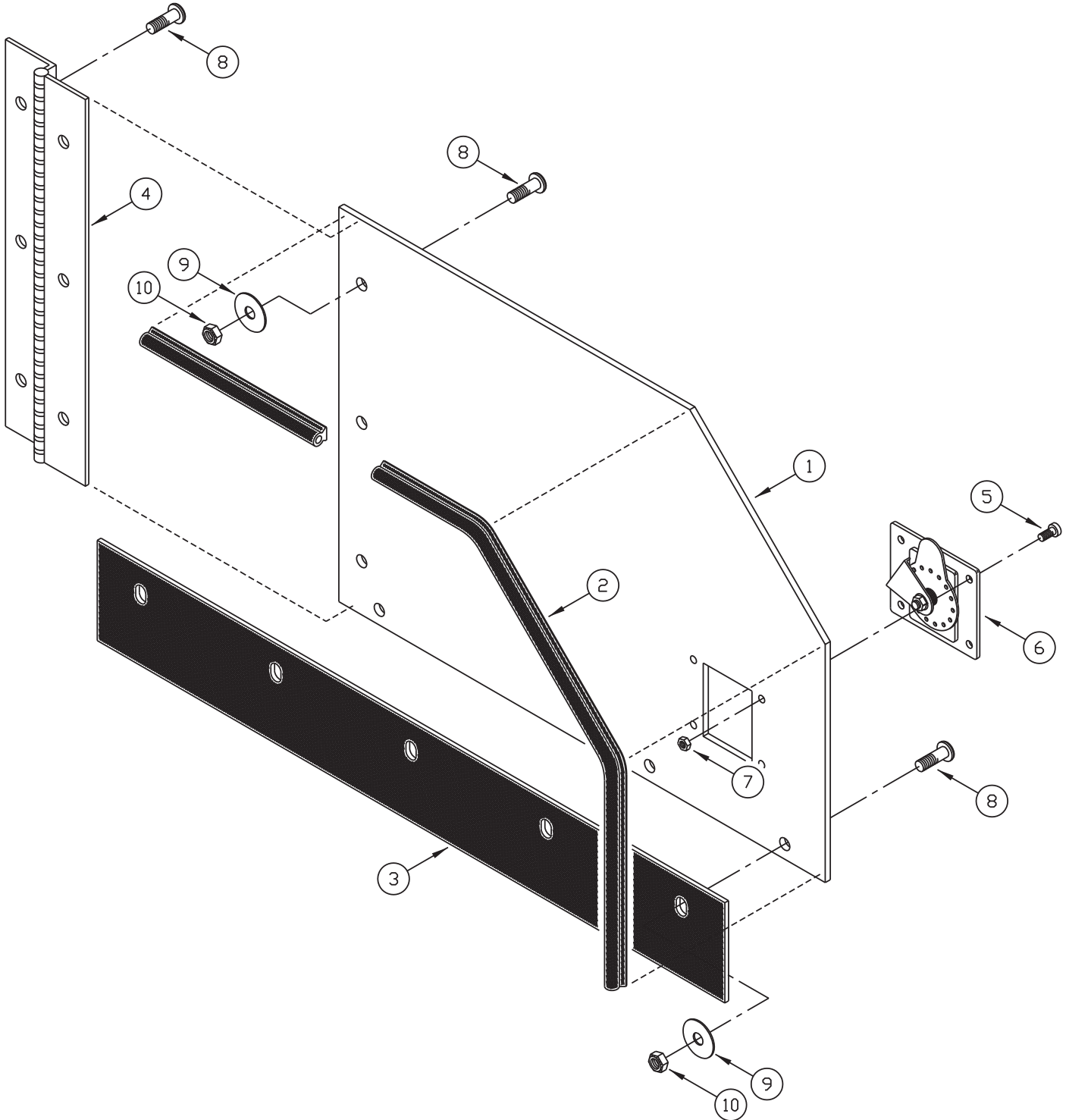
ITEM	PART NO.	QTY	DESCRIPTION
1	3300484	3	RETAINING RING EXT 0.87
2	3300523	2	SHOE - BRAKE
3	3300876	1	SPACER - AXLE FRONT
4	3301510	1	ASSY- HUB FRONT WHEEL
5	3301518	2	SPRING - COMP BRAKE SHOE
6	3301519	2	SPRING - EXT BRAKE SHOE
7	3344048	1	PLATE - BRAKE DUST COVER ZP
8	3344068	2	TUBE - STANDOFF .18ID X .31 OD X .563 LG
9	3344072P	1	PLATE-WD FRONT AXLE/BRAKES, AM7D
10	3344075	1	WELD ASSEMBLY - LEVER BRAKE SS
11	3344143	1	TRIM - PUSH ON W/ FLAP SEAL 12 GA
12	3400060	2	SCREW, PRH MC #8-32 X 3.00 18-8 SS
13	3400082	4	NUT - HEX #8-32 ES ZP
14	3400096	4	WASHER - FLAT #8 ZP
15	3400120	1	PIN - COTTER 5/32 DIA X 2.00 LG, ZP
16	3401561	1	BEARING - FLANGE 7/8 ID X 3/4 L
17	3401568	2	SCREW - HH 1/2-13 X .625 FULL THRD, GR 5 ZP

BATTERY



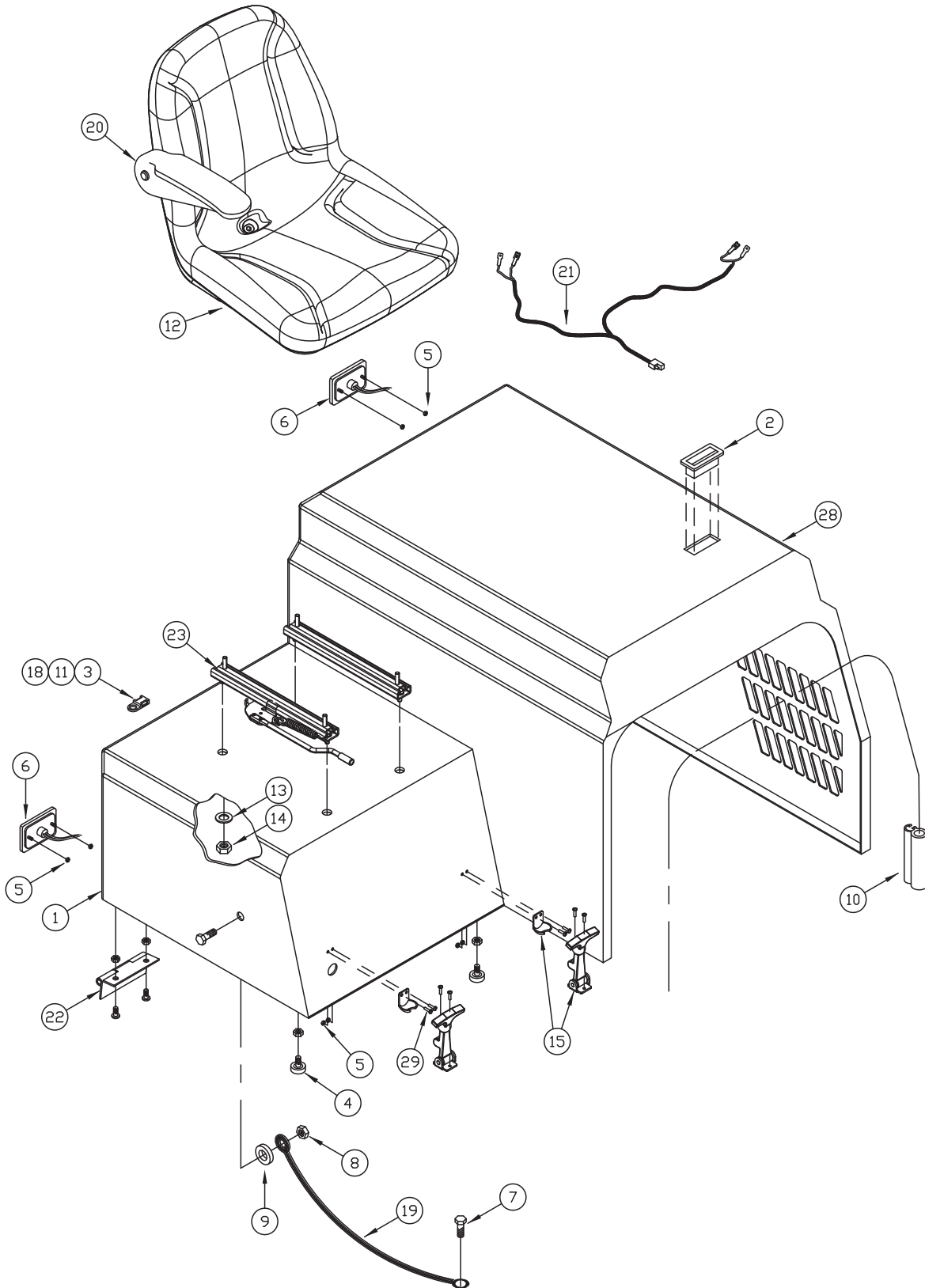
BATTERY			
ITEM	PART NO.	QTY	DESCRIPTION
1	3339406	1	BATTERY - 12VDC
2	3337859	1	MOUNT - BATTERY TRAY
	661231		ASSY, BATTERY MOUNT (AM7D ONLY)
3	3301076	1	HOLD DOWN - BATTERY 2-PIECE
4	3400085	2	NUT - WING 1/4-20 ZP
5	3307634	1	ASSEMBLY - BATTERY CABLE ARMA NEG
6	3307633	1	ASSEMBLY - BATTERY CABLE ARMA POS
7	3301079	2	ROD - BATTERY TIE-DOWN PLTD
8	3305398	2	CLAMP-HYD HOSE, PLATED
9	3400385	2	WASHER - CONICAL SPRING 3/8
10	711250	2	SCR-HH 3/8-16 X 1.25 ZP GR 5
11	3400089	2	WASHER - FLAT 1/4 STANDARD ZP
12	3341162	1	TRAY PAD - BATTERY

MAIN BROOM DOOR



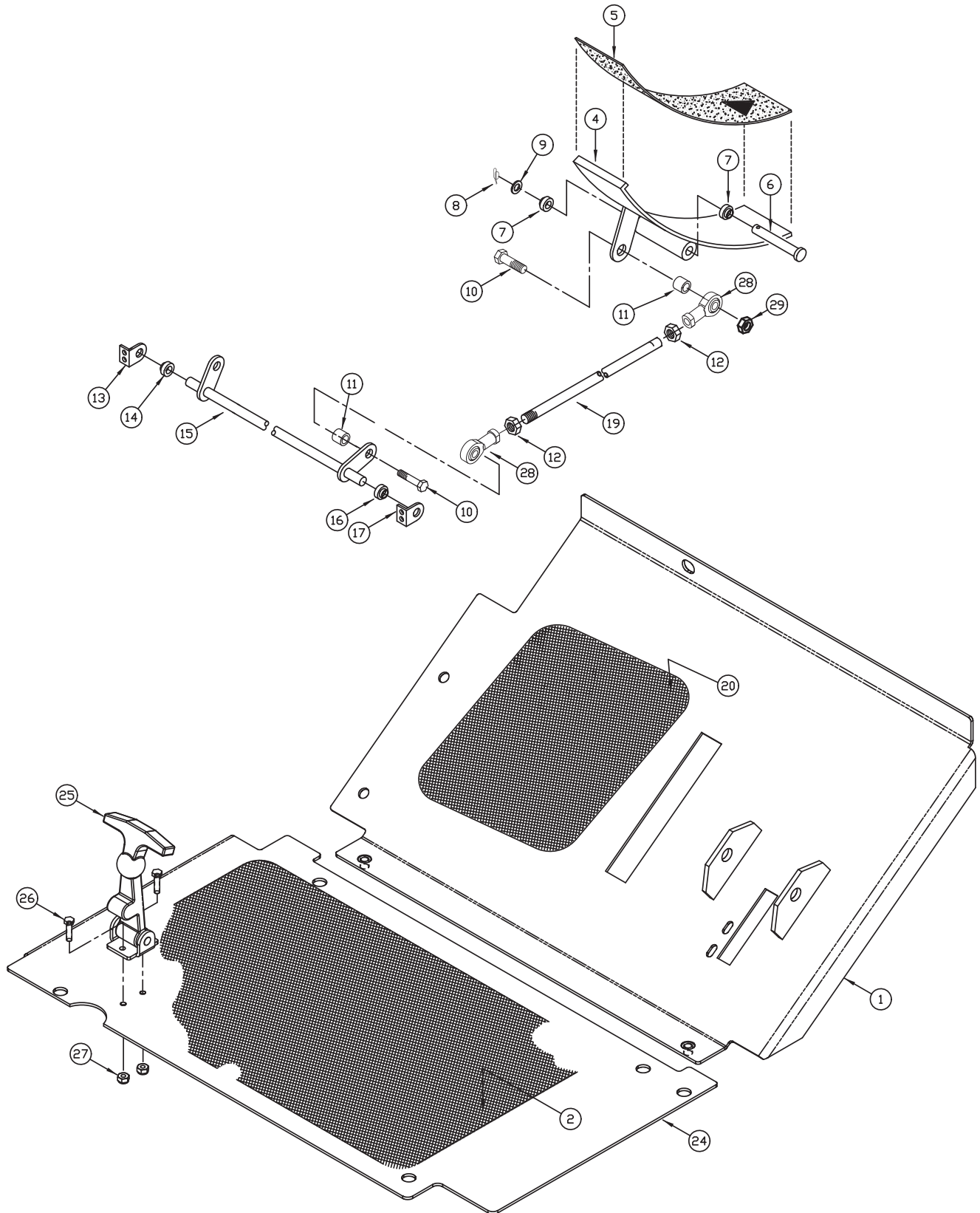
MAIN BROOM DOOR			
ITEM	PART NO.	QTY	DESCRIPTION
*	3318568	1	ASSY- BROOM DOOR R/H
*	3318728	1	ASSY- BROOM DOOR L/H
1	3318567P	1	DOOR—MAIN BROOM
2	3318739	2.3 FT.	WEATHERSTRIPPING—RUBBER SPONGE
3	3318582	1	FLAP—BROOM DOOR
4	3318694	1	HINGE—.125 X 3.0 X 11.12 LONG
5	3400048	4	SCR—SOC #10-32 X 0.75 ZP
6	3318595	1	LATCH—"T" HANDLE
7	3400172	4	NUT—HEX JAM #10-32 ES ZP
8	730717	8	SCR-BHSCS 3/8-16 X 1.00 SS
9	3400092	8	WASHER—FENDER 3/8 ZP
10	3400392	8	NUT—FLANGE LOCK 3/8-16

ENGINE COVER



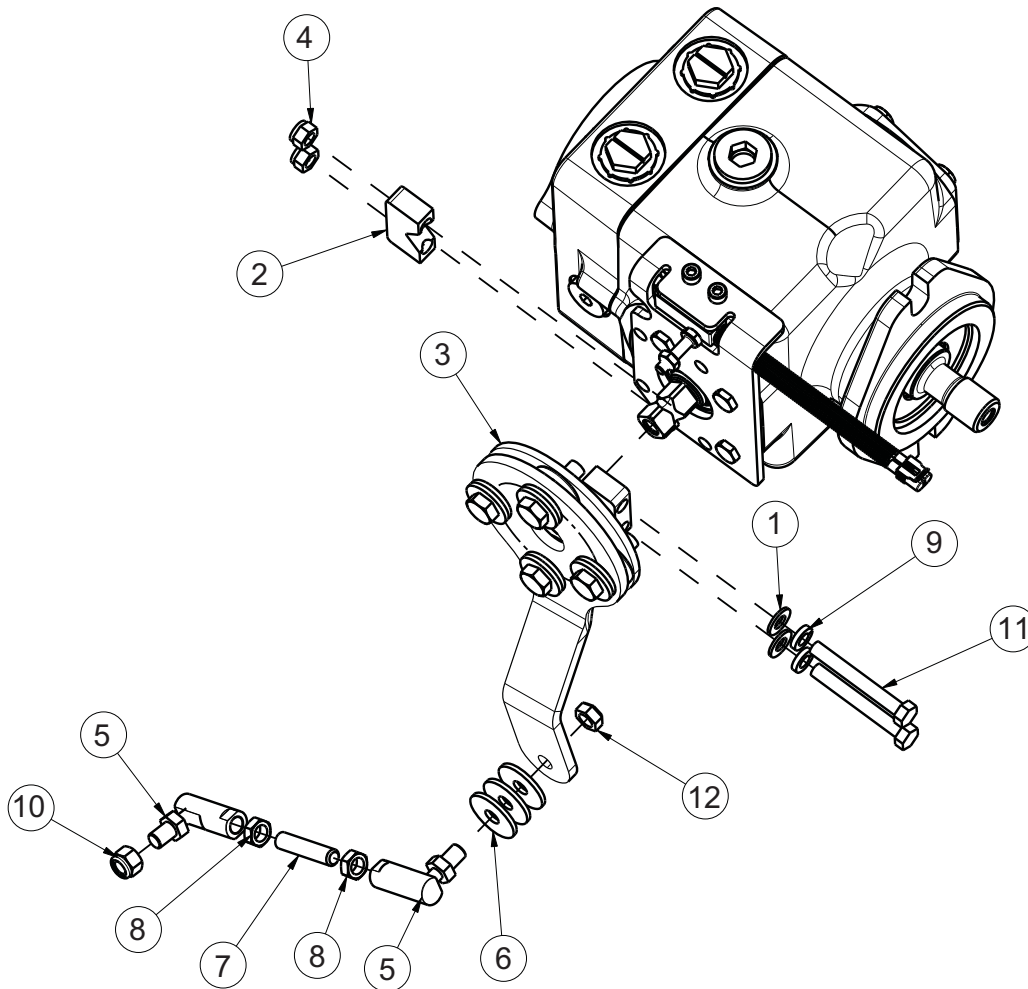
ENGINE COVER			
ITEM	PART NO.	QTY	DESCRIPTION
1	3337680P	1	WELD - SEAT CLIP
2	3335146	1	HANDLE-RECESSED NYL INSET .07-.13 WALL
3	3302472	6	MOUNT—WIRE TIE LOW PROFILE
4	3300526	2	BUMPER-RUBBER 1/4 ID X 1/8 THK
5	3400172	10	NUT-JAM 10-32 ZP NYLOC
6	3311373	2	LIGHT—REAR TAIL RED
7	730717	1	SCR-BHSCS 3/8-16 X 1.00 SS
8	711380	1	NUT-NYLOC 3/8-16 ZP
9	3400087	1	WASHER-FLAT 3/8 ZP
10	3500198	5.5 FT.	SEAL—TRIM CAB
11	3400484	8	RIVET—AVDEL 3/16 X .602
12	3343778	1	SEAT STD (MICHIGAN)
13	3400088	4	WASHER—5/16 FENDER
14	711374	4	NUT-NYLOC 5/16-18 ZP
15	600265	2	LATCH, T-HANDLE & KEEPER
18	3302472	6	MOUNT-WIRE TIE LOW PROFILE
19	3318693	1	CABLE, ENGINE CLIP
20	3343777	1	ASSY-ARMREST SEAT
21	3338311	1	HARNESS, TAIL-LIGHTS 7AMD
22	3337979	2	HINGE - 4" LG X 1/4 PIN
23	3316891	1	KIT-ADJUSTABLE SEAT TRACK
28	661274	1	WELD - ENGINE COVER
29	3400044	4	SCR-HEX,#10-32X0.75 ZP

DIRECTION CONTROL ASSEMBLY



DIRECTION CONTROL ASSEMBLY			
ITEM	PART NO.	QTY	DESCRIPTION
1	3337974	1	ASSY- FLOOR PAN UPPER
2	730988	1	PAD, FLOOR
4	3300737	1	WELD—PEDAL FWD / REV PNTD
5	3300544	1	PAD—FOOT PEDAL
6	3400114	1	PIN—CLEVIS 3/8 X 4.00 ZP
7	3300414	2	BUSHING—PLASTIC MN BRM
8	3400125	1	PIN—COTER 3/8 RUE-RING
9	3400087	1	WASHER-FLAT 3/8 STANDARD ZP
10	713045	2	SCR-HH 3/8-16 X 1.75 ZP GR 5
11	3301085	4	SPACER-FRONT BUMPER PLTD
12	3400075	4	NUT-HEX JAM 3/8-24 ZP
13	3307223	1	MNT—BUSHING DIR CONT
14	3307220	1	BEARING—DIR CONTROL
15	3338013	1	WELD—DIR TORQUE TUBE
16	3307220	1	BEARING—DIR CONTROL
17	3307223	1	MNT—BUSHING DIR CONT
19	3336697	1	ROD FWD/REV - DIR CONTROL PEDAL
20	3309734	1	FLOOR MAT—SMALL
24	3337913P	1	FLOOR BOARD - LOWER
25	600265	2	LATCH, T-HANDLE & KEEPER
26	3400044	4	SCR-HEX,#10-32X0.75 ZP
27	3400172	4	NUT-HEX JAM #10-32 ES ZP
28	3308762	2	ROD END-FEMALE 3/8-24
29	711380	2	NUT-NYLOC 3/8-16 ZP

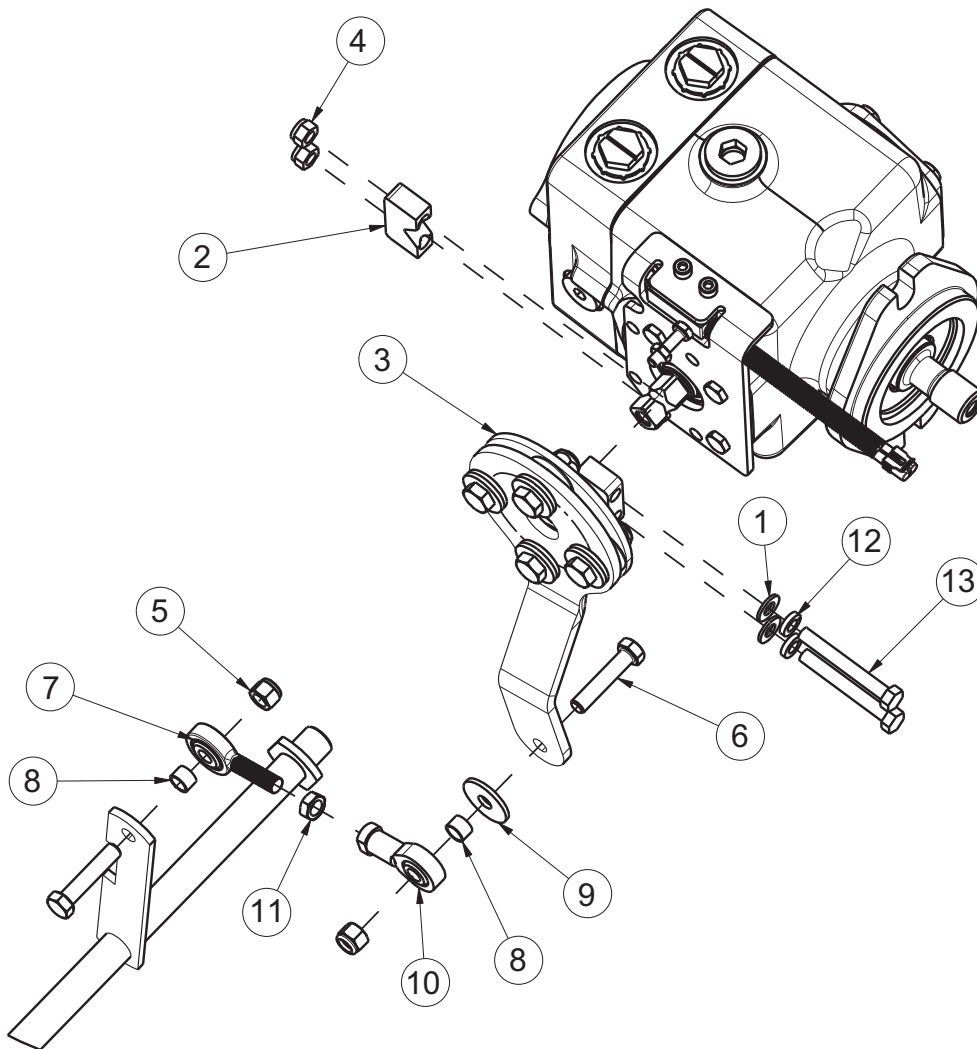
DIRECTION LINK GROUP (DIESEL)



DIRECTION LINK GROUP (DIESEL - 661179)

ITEM	PART NO.	QTY	DESCRIPTION
1	600941	2	WASHER-FLAT 5/16 X .688 ZP
2	661150-FIN	1	CLAMP, DIR CNTRL ARM, W/FINISH - 6X
3	661178	1	ASSY, DIRECTIONAL LINK ARM - 6X
4	711374	2	NUT-NYLOC 5/16-18 ZP
5	3300461	2	BALL JOINT-3/8-24 W/DUST COV.
6	3307187	3	SPACER-IMPELLER ZP SW/A
7	3336017	1	ROD-SHORT DIRECTIONAL ZP
8	3400075	2	NUT-JAM 3/8-24 ZP
9	3400102	2	WASHER-LOCK 5/16 SPLIT ZP
10	3400342	1	NUT-NYLOC 3/8-24 ZP
11	3400466	2	SCR-HH 5/16-18 X 2.50 ZP GR 5
12	3402044	1	NUT-HEX JAM 3/8-24 ES ZP

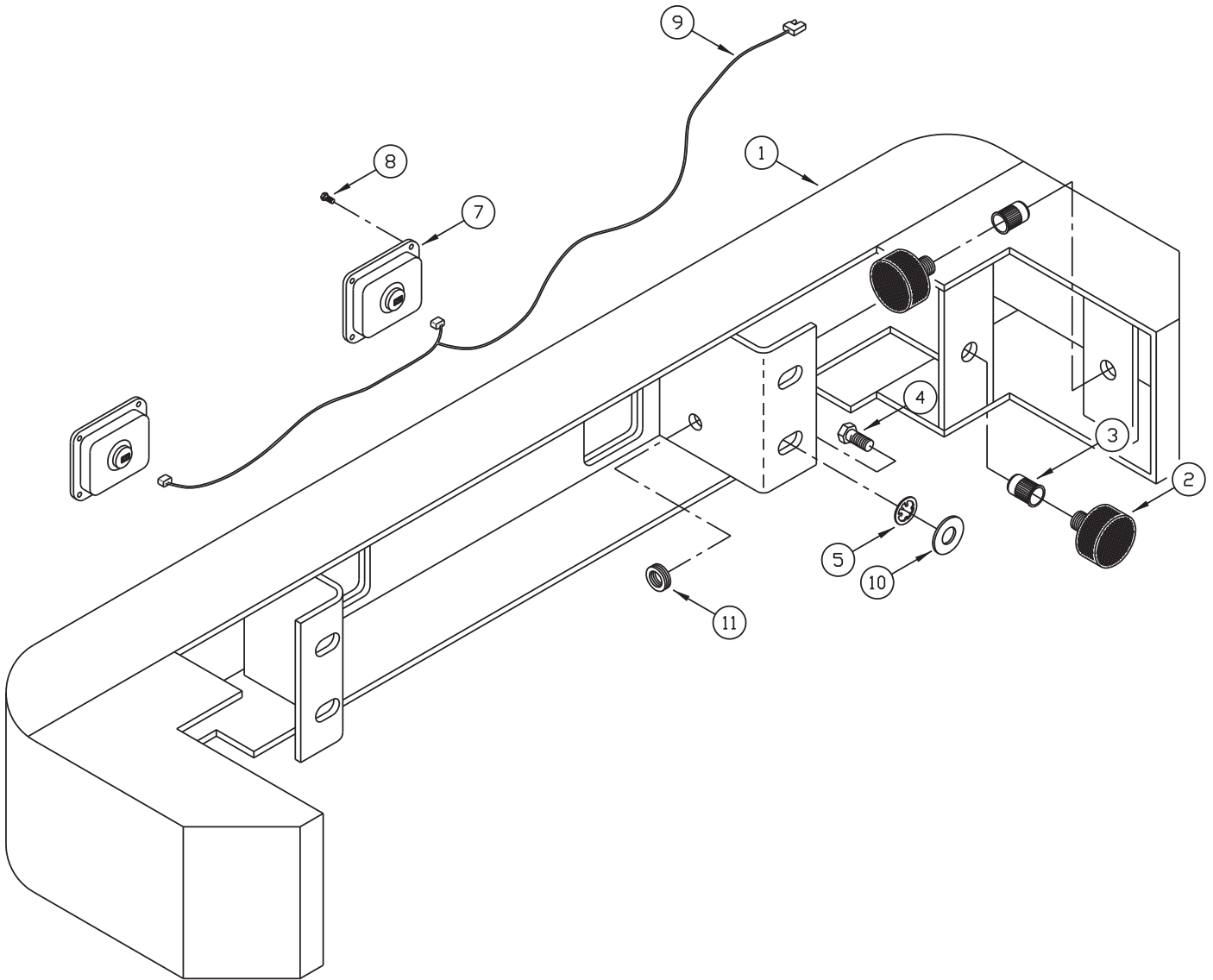
DIRECTION LINK GROUP (GAS/LP)



DIRECTION LINK GROUP (GAS/LP - 661191)

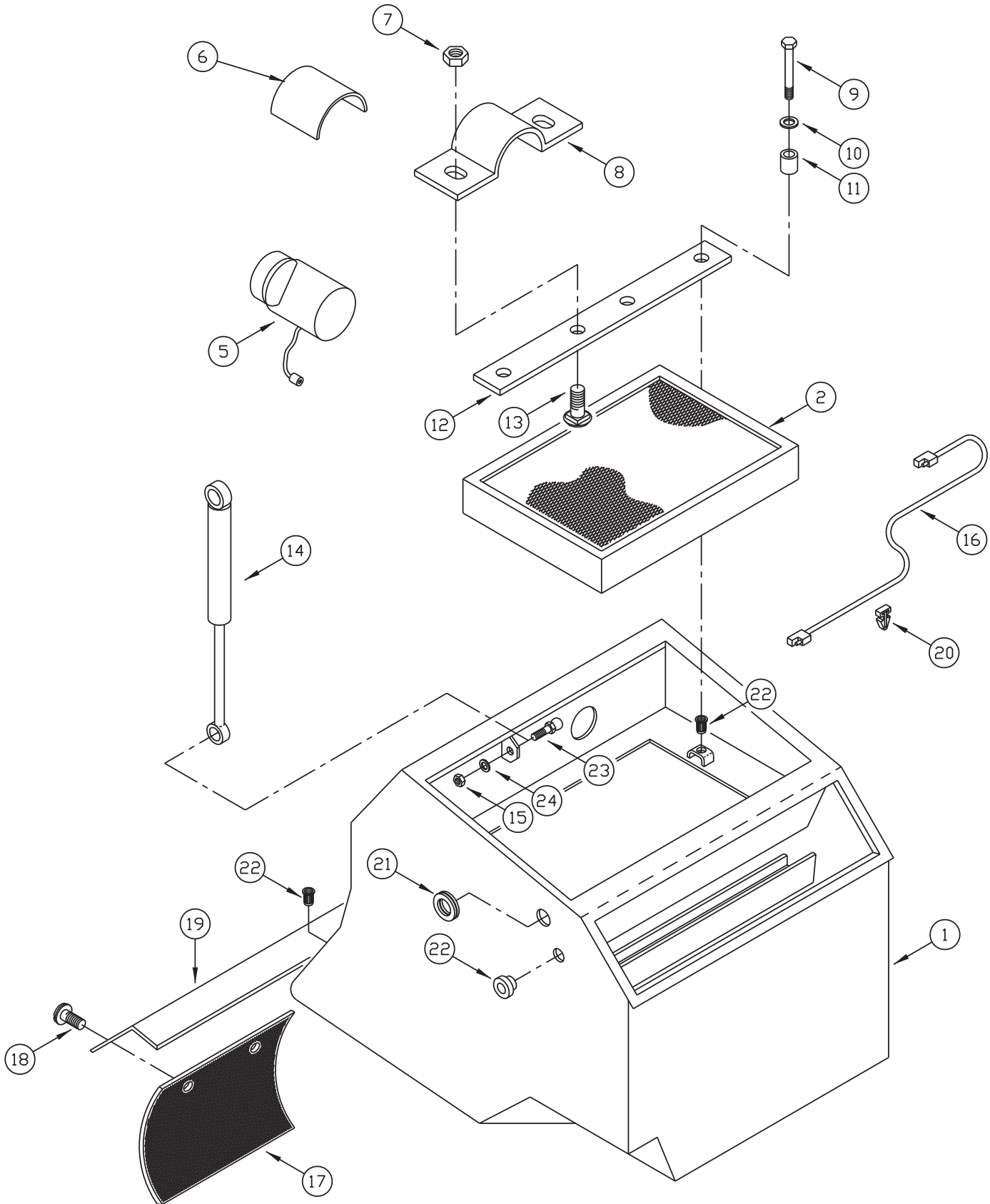
ITEM	PART NO.	QTY	DESCRIPTION
1	600941	2	WASHER-FLAT 5/16 X .688 ZP
2	661150-FIN	1	CLAMP, DIR CNTRL ARM, W/FINISH - 6X
3	661178	1	ASSY, DIRECTIONAL LINK ARM - 6X
4	711374	2	NUT-NYLOC 5/16-18 ZP
5	711380	2	NUT-NYLOC 3/8-16 ZP
6	713045	2	SCR-HH 3/8-16 X 1.75 ZP GR 5
7	730524	1	ROD END, 3/8, MALE
8	730873	2	SPACER, .406 B .498 OD .325 T
9	3307187	1	SPACER-IMPELLER ZP SW/A
10	3308762	1	ROD END-FEMALE 3/8-24
11	3400075	1	NUT-JAM 3/8-24 ZP
12	3400102	2	WASHER-LOCK 5/16 SPLIT ZP
13	3400466	2	SCR-HH 5/16-18 X 2.50 ZP GR 5

BUMPER



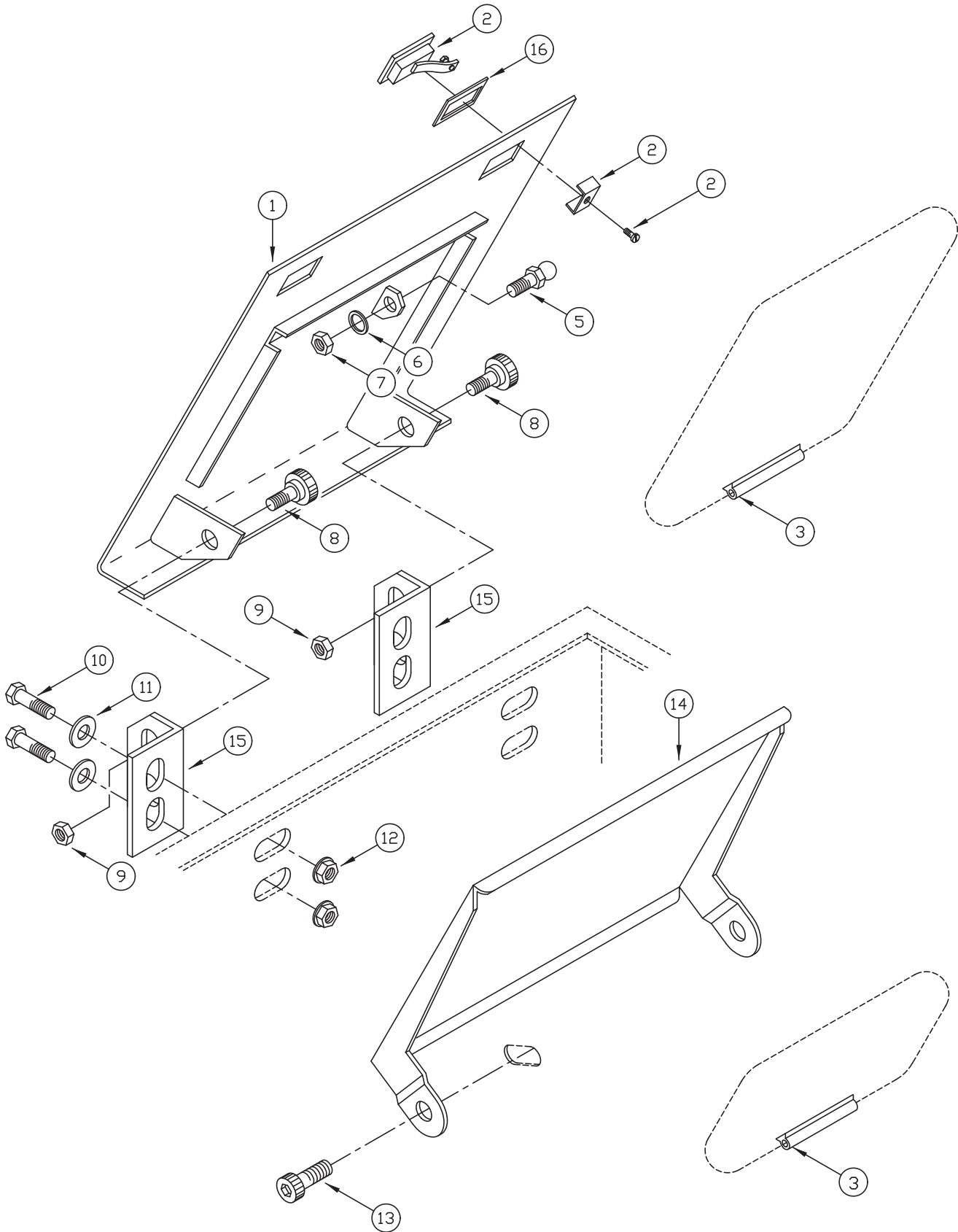
BUMPER			
ITEM	PART NO.	QTY	DESCRIPTION
1	3318577P	1	WELD—FRONT BUMPER
2	3316871	4	BUMPER—RUBBER
3	3322186	4	INSERT—3/8-16 UNC
4	711250	4	SCR-HH 3/8-16 X 1.25 ZP GR 5
5	3316981	4	RETAINER—BUMPER BOLT ARMA
7	3315839	2	HEADLIGHT—FLUSH MOUNT HALOGEN
8	3311374	8	SCR—HEX 1/4-14 X 3/4 SELF TAP
9	3338313	1	WIRE HARNESS, HEADLIGHTS, 7AMD
10	3400385	4	WASHER-CONICAL SPRING 3/8
11	3311564	1	GROMMET—1/2 ID RUBBER

HOPPER



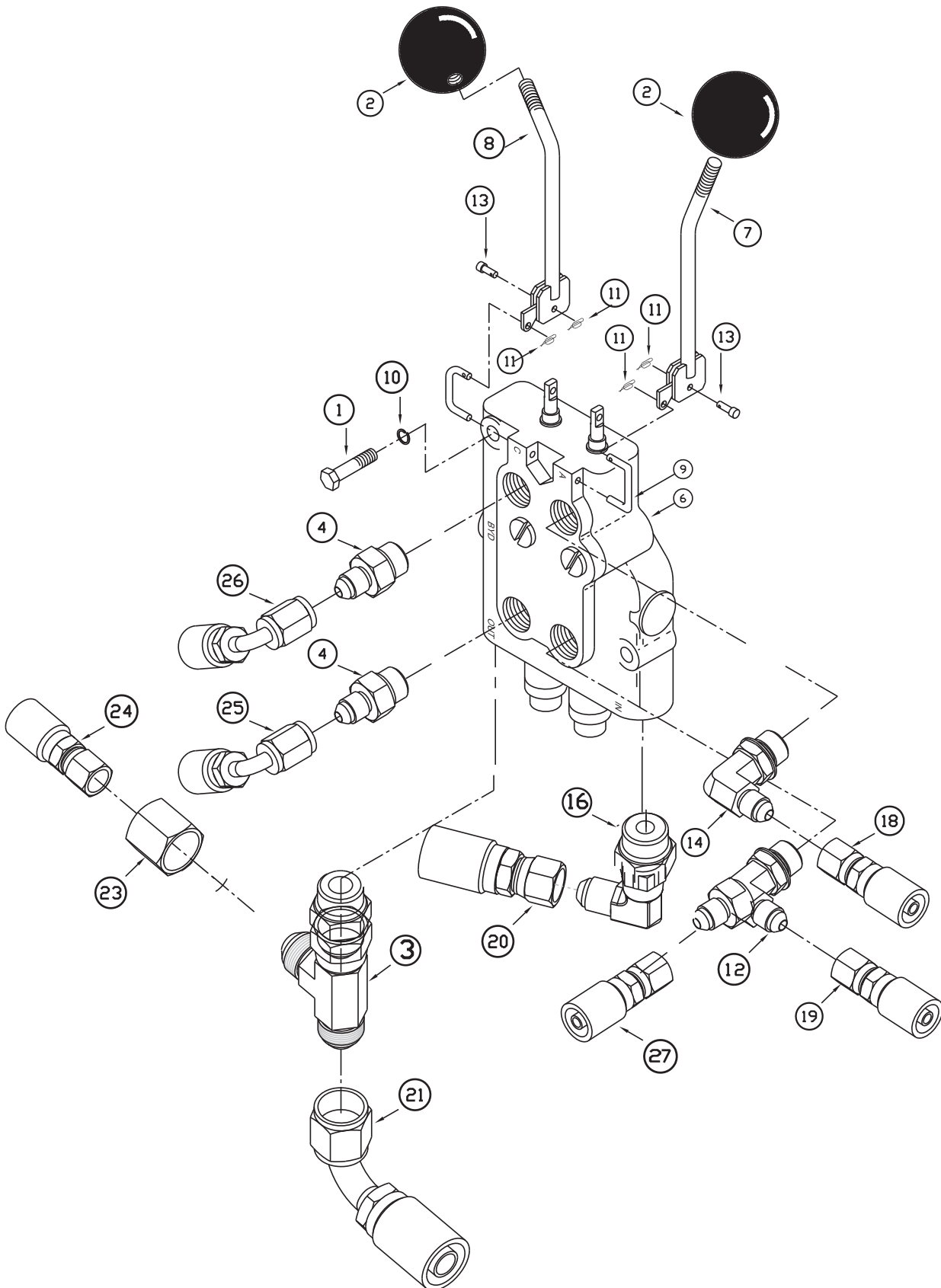
HOPPER			
ITEM	PART NO.	QTY	DESCRIPTION
1	661234	1	HOPPER, SOR - 6X
2	3334166	1	FILTER-POLYESTER HOP 62IC 62E 555030X15
5	748149-1	1	ASSY, SHAKER MOTOR W/CONNECTOR
6	3300904	1	MOUNT - NEOPRENE SHAKER MOTOR
7	711374	2	NUT-NYLOC 5/16-18 ZP
8	750073	1	BRACKET SHAKER MOTOR
9	3400501	2	SCR - HEX 3/8-16 X 4.00 ZP
10	3400278	2	WASHER-FENDER 3/8 X 1.25 ZP
11	3307850	2	ISOLATOR - HOPPER FILTER
12	661009	1	MOUNT-SHAKER MOTOR, AM7D
13	70-516-16	2	BLT-CARR 5/16-18 X 1 ZP
14	3305006	1	SPRING - GAS
15	3400070	1	NUT - HEX 5/16-18 ZP
16	3338312	1	WIRE HARNESS, HOPPER, 7AMD
17	3311237	4	FLAP - HOPPER LIP
18	710986	8	SCR-BHSCS 3/8-16 X 1.00 ZP
19	3311238	1	ANGLE - HOPPER FLAP RETAINER
20	3400784	3	MOUNT - CABLE TIE
21	3301665	1	GROMMET - Z - 2056
22	3322186	12	INSERT 3/8-16 UNC
23	3300376	1	STUD - BALL GAS SPRING
24	3400102	1	WASHER - LOCK 5/16 SPLIT ZP

HOPPER HOOD AND LID ASSEMBLIES



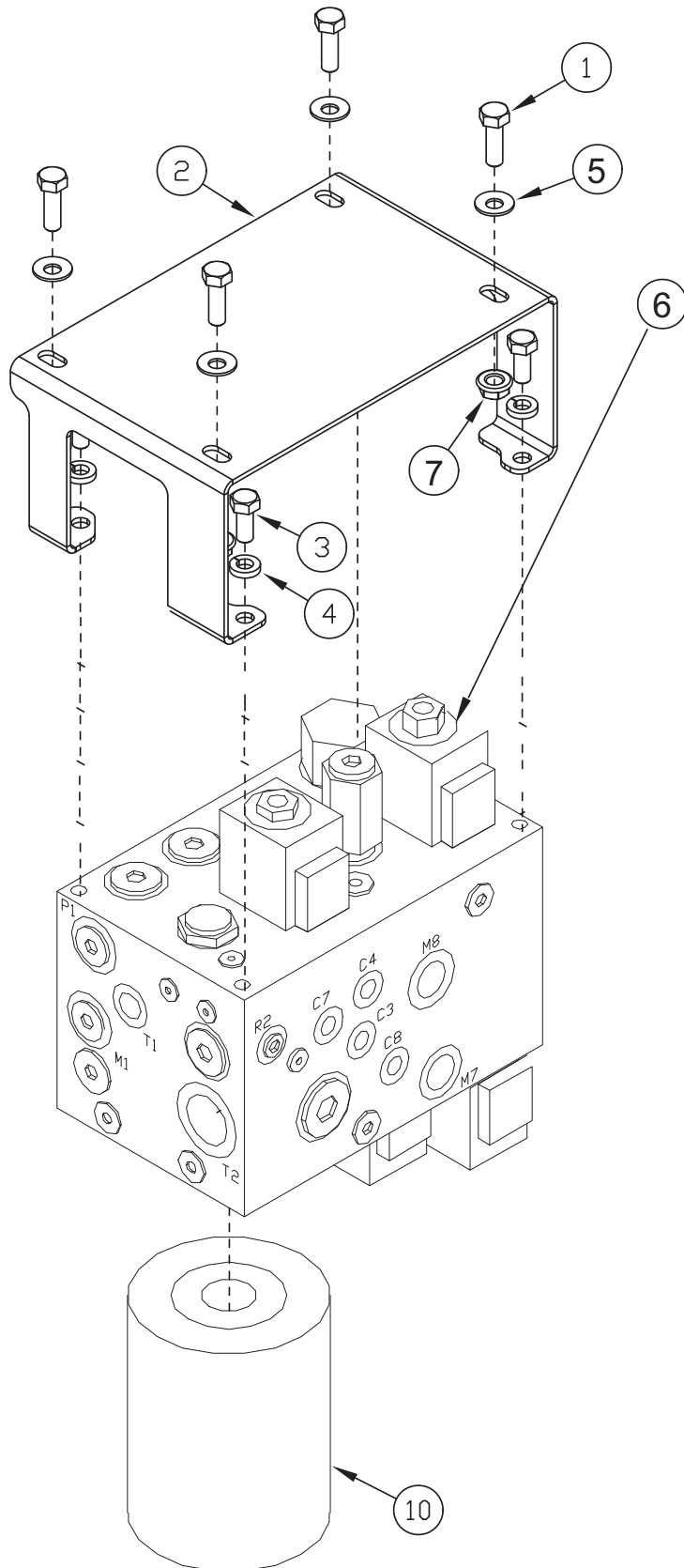
HOPPER HOOD AND LID ASSEMBLIES			
ITEM	PART NO.	QTY	DESCRIPTION
1	661049	1	HOOD, HOPPER, AM7D/6X
2	3337930	2	LATCH ASSEMBLY
3	3318739	7.0 FT.	WEATHER STRIPPING—RUBBER SPONGE
5	3300376	1	STUD—BALL GAS SPRING
6	3400102	1	WASHER—LOCK 5/16 SPLIT ZP
7	3400070	1	NUT—HEX 5/16-18 ZP
8	3400052	2	SCR—HSS 5/16 DIA X .25 ZP
9	711228	2	SCR-HH 5/16-18 X .75 ZP GR 5
10	3400035	4	SCR—HEX 5/16-18 X 1.00 ZP
11	3400384	4	WASHER—CONICAL SPRING 5/16
12	711379	4	NUT-FLANGED WIZZ 5/16-18 ZP
13	3400170	2	SCR—HSS 1/2 DIA X .31 ZP
14	3318540P	1	LID—HOPPER
15	3311245	2	HINGE—FILTER COVER PAINTED
16	3337981	2	GASKET - LATCH

CONTROL VALVE



CONTROL VALVE			
ITEM	PART NO.	QTY	DESCRIPTION
1	3400039	2	SCR-HH 1/4-20 X 2.00 ZP GR 5
2	3300562	2	KNOB—BALL 1.375" DIA #95 BLACK
3	675525	1	FTG-STR THD RUN TEE -8 ORFS TO -8 SAE
4	675511	2	FTG-STR THD CONNECTOR -4 ORFS TO -6 SA
6	3338092	1	DIR CONTROL VALVE—SW6XV
7	3313278	1	WELD—VALVE HANDLE LH 62 G&D
8	3313277	1	WELD—VALVE HANDLE RH 62 G&D
9	3313298	2	LINK—U CONTROL SW62 GAS/DSL/LP
10	3400103	2	WASHER—LOCK 1/4 SPLIT ZP
11	3400742	4	RUE RING—1/4 HEAVY ZP
12	675516	1	FTG-STR THD RUN TEE -6 ORFS TO -6 SAE
13	620141	2	PIN-CLEVIS 3/16 X 3/4, ZP
14	675546	2	FTG-STR THD ELBOW -4 ORFS TO -6 SAE
16	675562	1	FTG—ADPT ST THD 3/4-16 TO #6
18	675485	1	HOSE HOP A (STR) TO BASE HOP LFT (STR)
19	675480	1	HOSE HOP B (90) TO ROD HOP LIFT (STR)
20	675487	1	HOSE HOP IN (STR) TO STR PB (45)
21	675470	1	HOSE CHRG T (STR) TO HOP OUT (90)
22	675573	1	FTG-REDUCER 1/2" TO 3/8 OD TUBE
24	675486	1	HOSE HOP OUT (STR) TO STR T (45)
25	675484	1	HOSE HOP C (90) TO HOP ROT BASE (STR)
26	675483	1	HOSE HOP D (90) TO HOP ROT ROD (STR)
27	675468	1	HOSE CHRG T (90) TO HOP B PORT (STR)

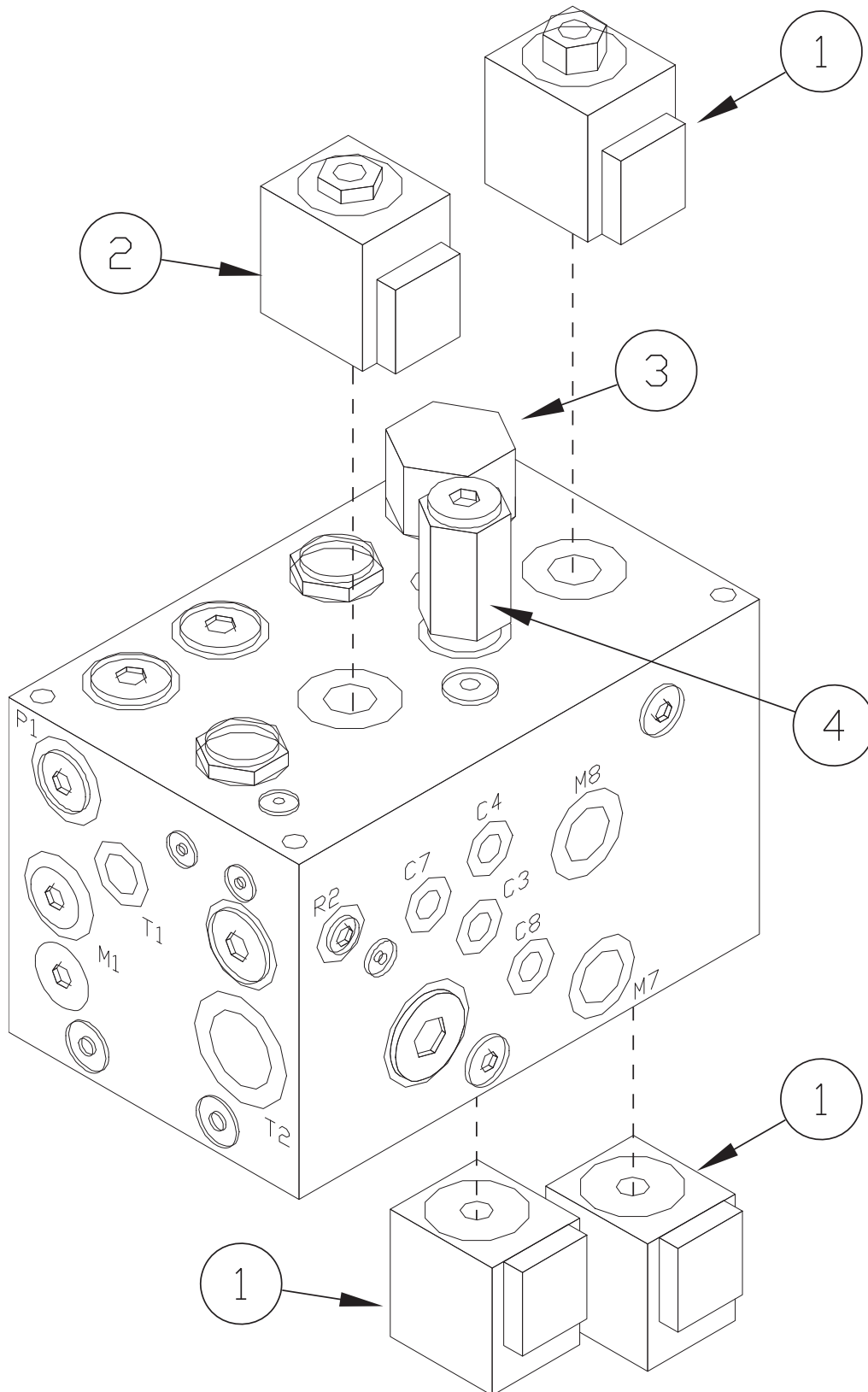
HYDRAULIC MANIFOLD ASSEMBLY



HYDRAULIC MANIFOLD ASSEMBLY			
ITEM	PART NO.	QTY	DESCRIPTION
1	3400035	4	SCREW-HEX,5/16-18X1.00 ZP
2	3336666	1	MOUNT, HYDRAULIC MANIFOLD
3	711228	4	SCR-HH 5/16-18 X .75 ZP GR 5
4	3400102	4	WASHER—LOCK 5/16 SPLIT ZP
5	3400384	4	WASHER-CONICAL SPRING 5/16
6	3338100	1	VALVE—HYD MANIFOLD SWEEPERS
7	3400390	4	NUT-FLANGE LOCK 5/16-18
10	3300359	1	FILTER - HYD

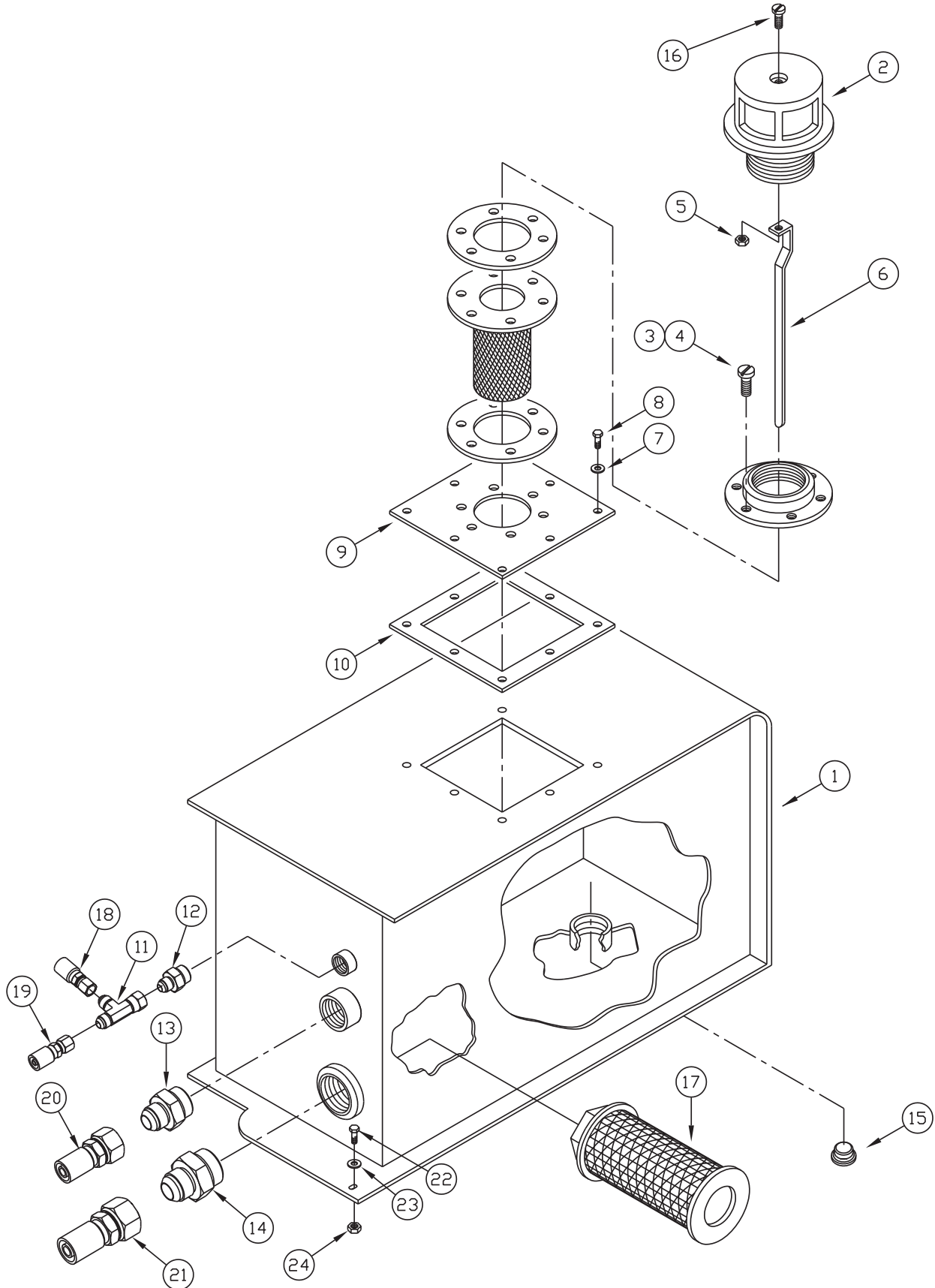
PORT NO.	FITTING PART #	HOSE PART #
C1	3331436 (PLUG)	N/A
C2	3331436 (PLUG)	N/A
C3	675507	675478
C47	675508	675479
C7	675508	675488
C8	675517	675469
M3	675523	675477
M4	675523	675476
M5	675523	675471
M6	675575	675472
M7	675527	675465
M8	675527	675467
P2	675523	675466
ST	675515	675475
T1	675572	675464
T2	675571	675625

HYDRAULIC MANIFOLD



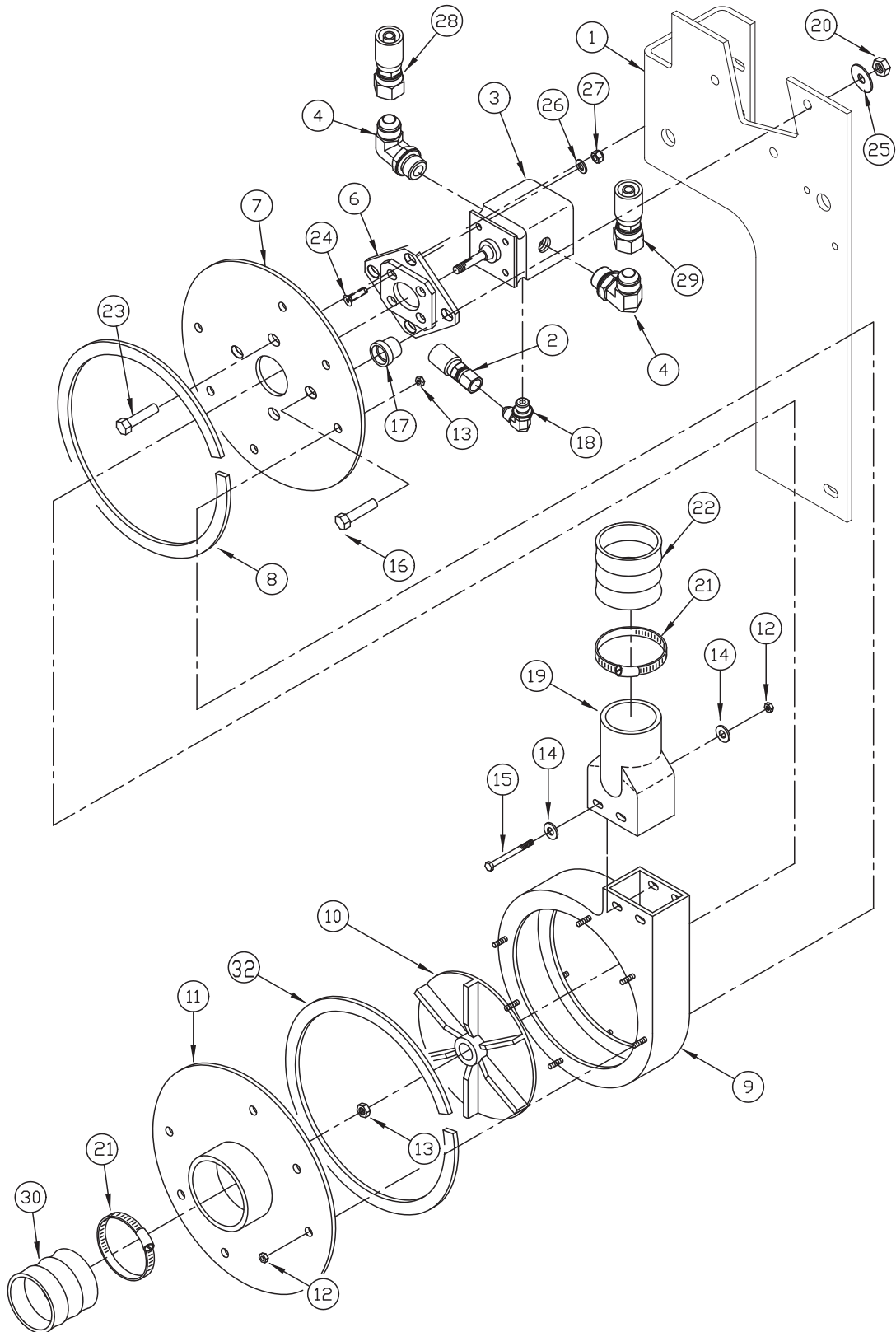
HYDRAULIC MANIFOLD			
ITEM	PART NO.	QTY	DESCRIPTION
1	3338101	3	SOLENOID VALVE(SVC PART ONLY)
*	3331353	3	COIL-EATON SPECIAL
2	3338102	1	SOLENOID VALVE(SVC PART ONLY)
*	3331353	1	COIL-EATON SPECIAL
3	3337629	1	FLOW REGULATOR
4	3337630	1	RELIEF VALVE

HYDRAULIC RESERVOIR



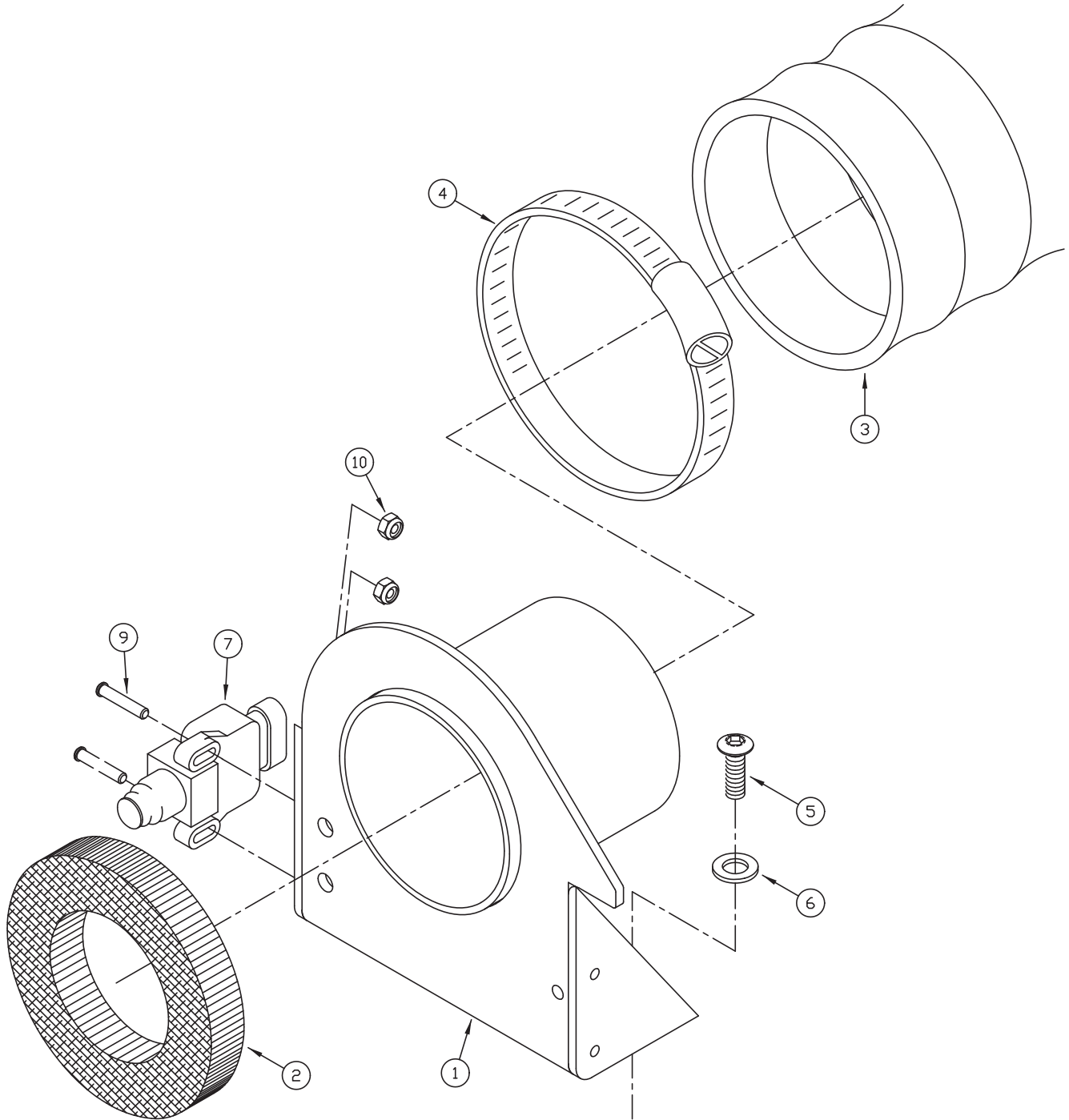
HYDRAULIC RESERVOIR			
ITEM	PART NO.	QTY	DESCRIPTION
1	3338019	1	WELD—HYDRAULIC RESERVOIR
2	3305576	1	FILTER—BREATHING ASSEMBLY
3	3400044	1	SCR—HEX,#10-32X0.75 ZP
4	3400172	1	NUT—HEX JAM #10-32 ES ZP
5	3400082	1	NUT—HEX #8-32 ES ZP
6	3312273	1	DIPSTICK—HYD SW/62 DSL
7	3302249	2	SPACER-NYLON .56 OD .25 ID .18
8	3400040	1	SCR—HEX,1/4-20X1.00 ZP
9	3332336	1	COVER-RESERVIOR 6XV
10	3300007	1	GASKET—SOLUTION TANK
11	675522	1	FTG-STR THD RUN TEE -6 ORFS TO -8 ORFS T
12	675552	1	FTG-STR THD 45 -6 ORFS TO -6 SAE
13	675535	1	FTG-STR THD ELBOW -12 ORFS TO -16 SAE
14	675560	1	FTG—STR CONN (16FTX-S)
15	3400164	1	FTG—PLUG 3/4-16 O RING
16	3400045	1	SCR—PAN,#8-32X0.62,SLT ZP
17	3307573	1	STRAINER—HYDRAULIC TM-15
18	675463	1	HOSE RES (90) TO IMP CD (STR)
19	675464	1	HOSE RES (STR) TO T1 (STR)
20	675626	1	HOSE, OIL COOLER, LOWER - 6X
21	675460	1	HOSE RES (STR) TO HYD (45) PUMP
22	711250	4	SCR-HH 3/8-16 X 1.25 ZP GR 5
23	3400385	4	WASHER-CONICAL SPRING 3/8
24	3400392	4	NUT-FLANGE LOCK 3/8-16

IMPELLER



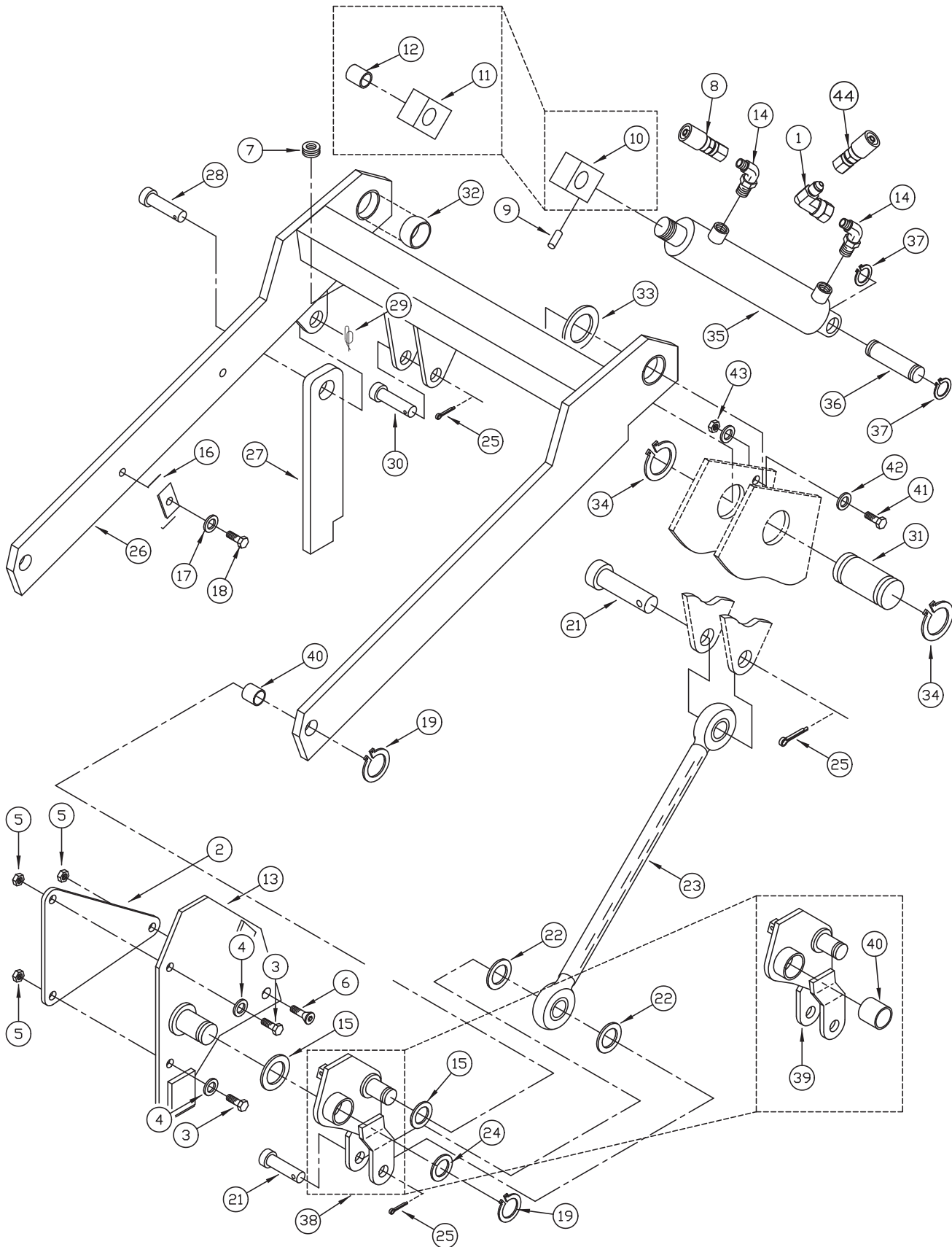
IMPELLER			
ITEM	PART NO.	QTY	DESCRIPTION
1	3338016	1	MOUNT—IMPELLER
2	675463	1	HOSE RES (90) TO IMP CD (STR)
3	3313008	1	MOTOR—HYDRAULIC IMPELLER
4	675524	2	FTG-STR THD CONNECTOR -8 ORFS TO -8 SA
6	3307152	1	WELD—IMPELLER MOTOR MNT PNTD
7	3322121	1	MOUNT—IMPELLER MOTOR PNTD
8	3335458	1	GASKET-TOP IMPELLAR, ARMA
9	3307004	1	SHROUD—IMPELLER PNTD
10	3307003	1	IMPELLER—ARMA CASTING & MACHIN
11	3311334	1	ASSEMBLY—IMPELLER INLET PLATE PNTD
12	711373	14	NUT-NYLOC 1/4-20 ZP
13	3400420	1	NUT—HEX 5/16-24 ES
14	3400089	4	WASHER—FLAT 1/4 STANDARD ZP
15	3402008	2	SCR—HEX 1/4-20 X 3.75 ZP
16	3400027	3	SCR—HEX 3/8-16 X 1.75 ZP
17	3300465	4	MOUNT—ISOLATION
18	675508	1	FTG-STR THD CONNECTOR -4 ORFS TO -4 SA
19	3315347	1	EXHAUST—IMPELLER 9XV
20	711380	4	NUT-NYLOC 3/8-16 ZP
21	3300351	1	CLAMP-HOSE, 4.5" DIA, SS
22	3338227	1	HOSE-IMPELLER EXHAUST, 3.5 DIA X 30 LG
23	3400028	1	SCREW-HEX, 3/8-16 X 1.50 ZP
24	3400016	4	SCREW-FLT, 5/16-18 X 1.25, SOC ZP
25	3400278	4	WASHER-FENDER 3/8 ZP
26	3400088	4	WASHER-FLAT 5/16 IDX.688 ODX.065 THK
27	711374	4	NUT-NYLOC 5/16-18 ZP
28	675465	1	HOSE REAR IMP (90) TO M7 (STR)
29	675467	1	HOSE FRONT IMP (90) TO M8 (STR)
30	3309034	1	HOSE-IMPELLER
32	3335459	1	GASKET-BOTT IMPELLAR, ARMA

GASKET MOUNT



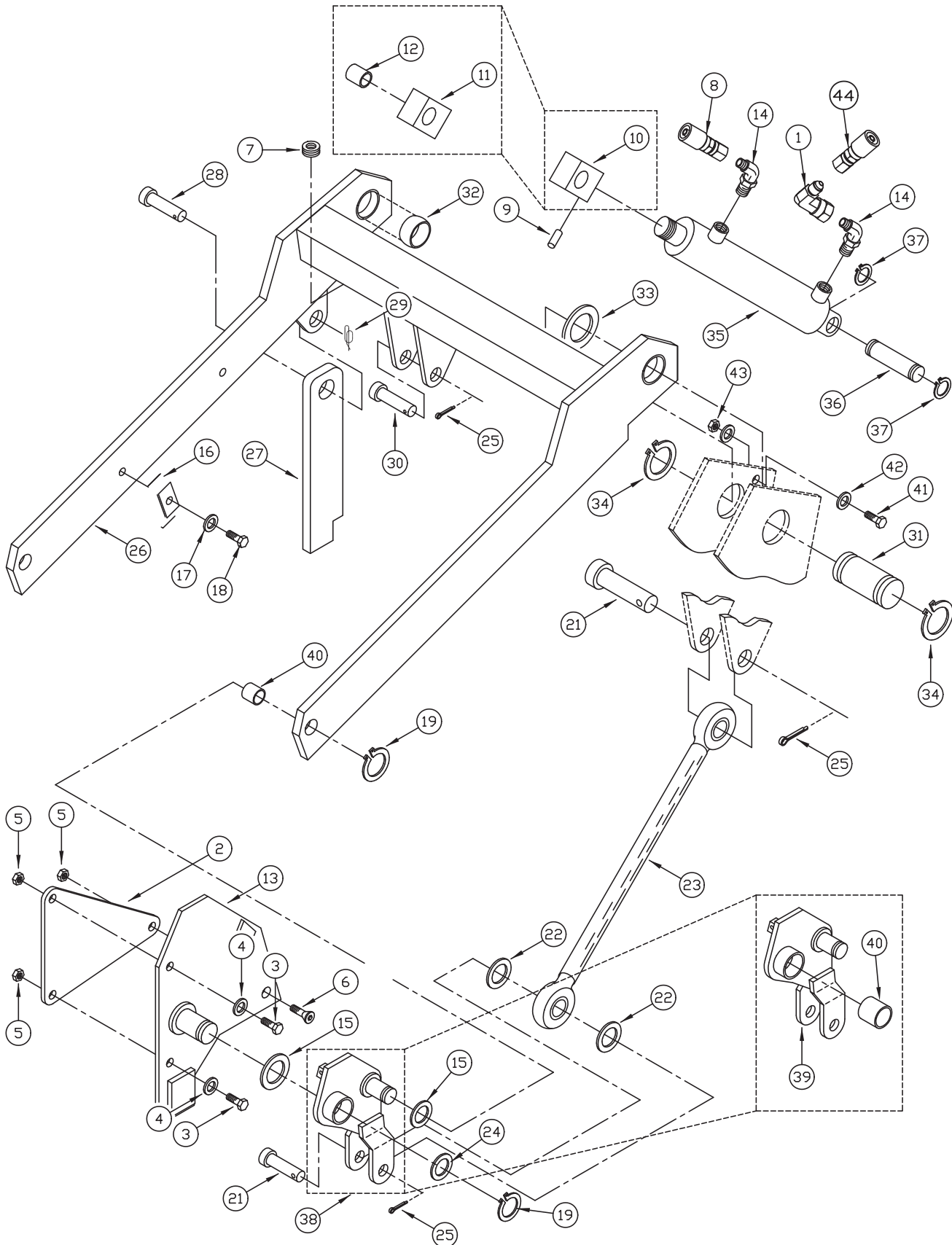
GASKET MOUNT			
ITEM	PART NO.	QTY	DESCRIPTION
1	3318473	1	WELD—GASKET MOUNT
2	3307005	1	GASKET—IMPELLER
3	3309034	1	HOSE—IMPELLER
4	3300351	1	CLAMP—HOSE 4½" DIA.
5	3400030	2	SCR-HH 3/8-16 X 1.00 ZP GR 5
6	3400087	2	WASHER-FLAT 3/8 ZP
7	3335945	1	SWITCH - COBO W/ AMP CONNECTOR
9	710360	2	SCR-PHMS 10-32 X 1 ZP
10	3400172	2	NUT - HEX JAM #10-32 ES ZP

LIFT ARM PART 1



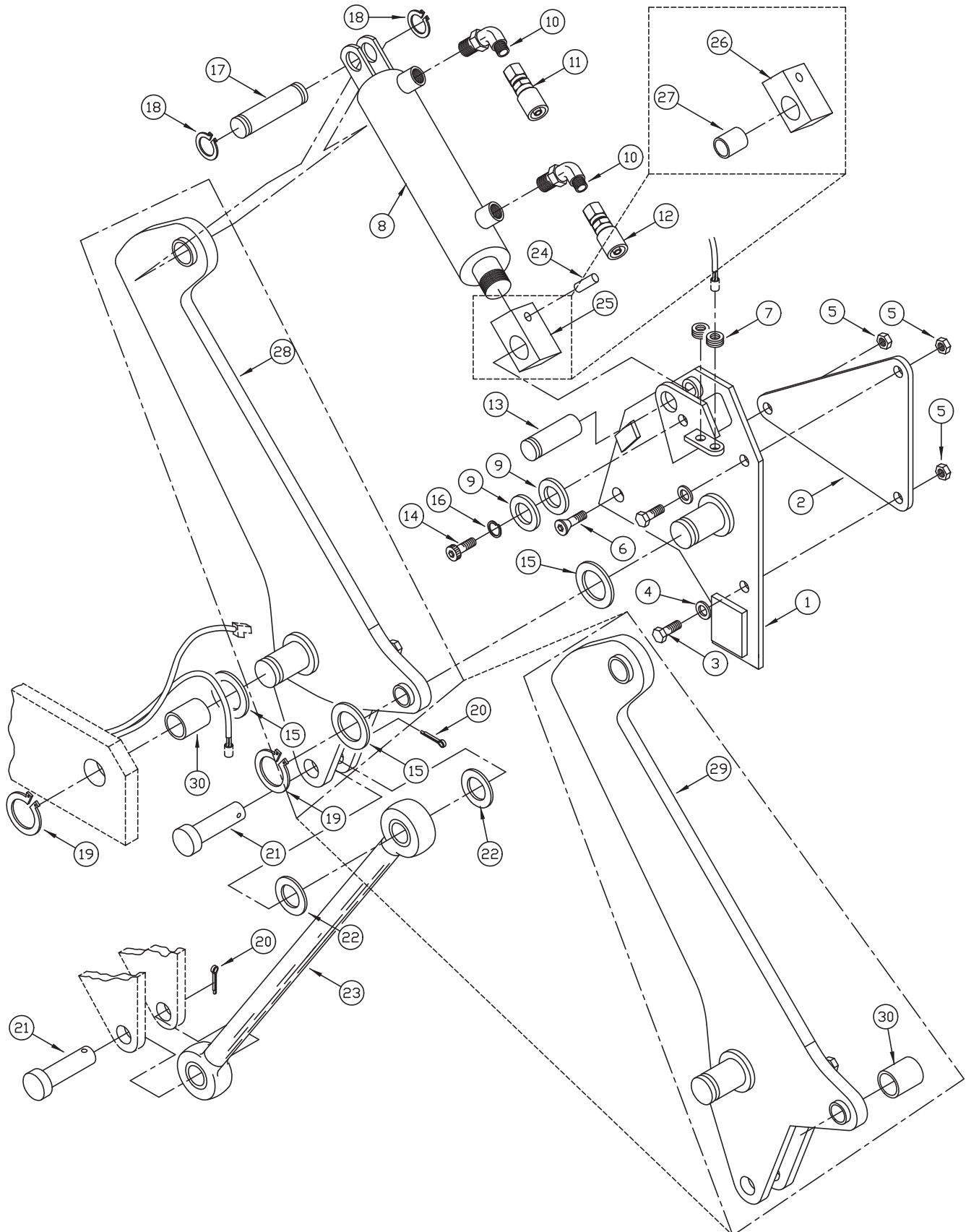
LIFT ARM PART 1			
ITEM	PART NO.	QTY	DESCRIPTION
1	675547	1	FITTING ORIFICE .047 #4
2	3311244	2	PLATE—HOPPER DOUBLER
3	3400030	4	BOLT—3/8-16 X 1.0 LONG
4	3400087	4	WASHER—3/8 FLAT
5	3400392	6	NUT 3/8-16 FLANGE LOCK
6	3400444	2	SCREW—FLAT HD 3/8-16 X 1.0
7	3301665	3	GROMMET—Z2056
8	675480	2	HOSE HOP B (90) TO ROD HOP LIFT (STR)
9	3400054	2	SCREW— SET 1/4-20 X .25 LONG ZP
10	3319089	1	ASSY- BLOCK CYL (INCLUDES ITEMS 11 & 12)
11	3300229	1	ASSEMBLY—BLOCK CYLINDER PLTD
12	3300552	1	BEARING—1.0ID X 1.50LG
13	3311212P	1	ASSEMBLY—ROTATION PLATE LH
14	675507	4	FTG-STR THD ELBOW -4 ORFS TO -4 SAE
15	3311458	4	BEARING—FIBERGLIDE LTD-2442
16	3305398	2	CLAMP-HYD HOSE, PLATED
17	3400385	2	WASHER-CONICAL SPRING 3/8
18	711250	2	SCR-HH 3/8-16 X 1.25 ZP GR 5
19	3311330	4	RETAINING RING 5100-150
21	3400439	2	PIN—CLEVIS 3/4 X 2.00
22	3311012	4	WASHER—HI-DUMP SPACER SEC. ARM
23	661015	2	ASSEMBLY—SECONDARY LIFT ARM
24	3311219	2	WASHER-SPACER ROTATION PLT ZP
25	3400121	5	PIN-COTTER 5/32 X 1.50 ZP
26	3338096M	1	WELD—LIFT ARM
27	3311316	1	SAFETY ARM PAINTED
28	3400462	1	PIN—CLEVIS 5/8 X 1.5
29	3400124	1	PIN—COTTER 5/8 RUE-RING
30	3400472	1	PIN—CLEVIS 1.0 X 3.0 ZP

LIFT ARM PART 1 (CONTINUED)



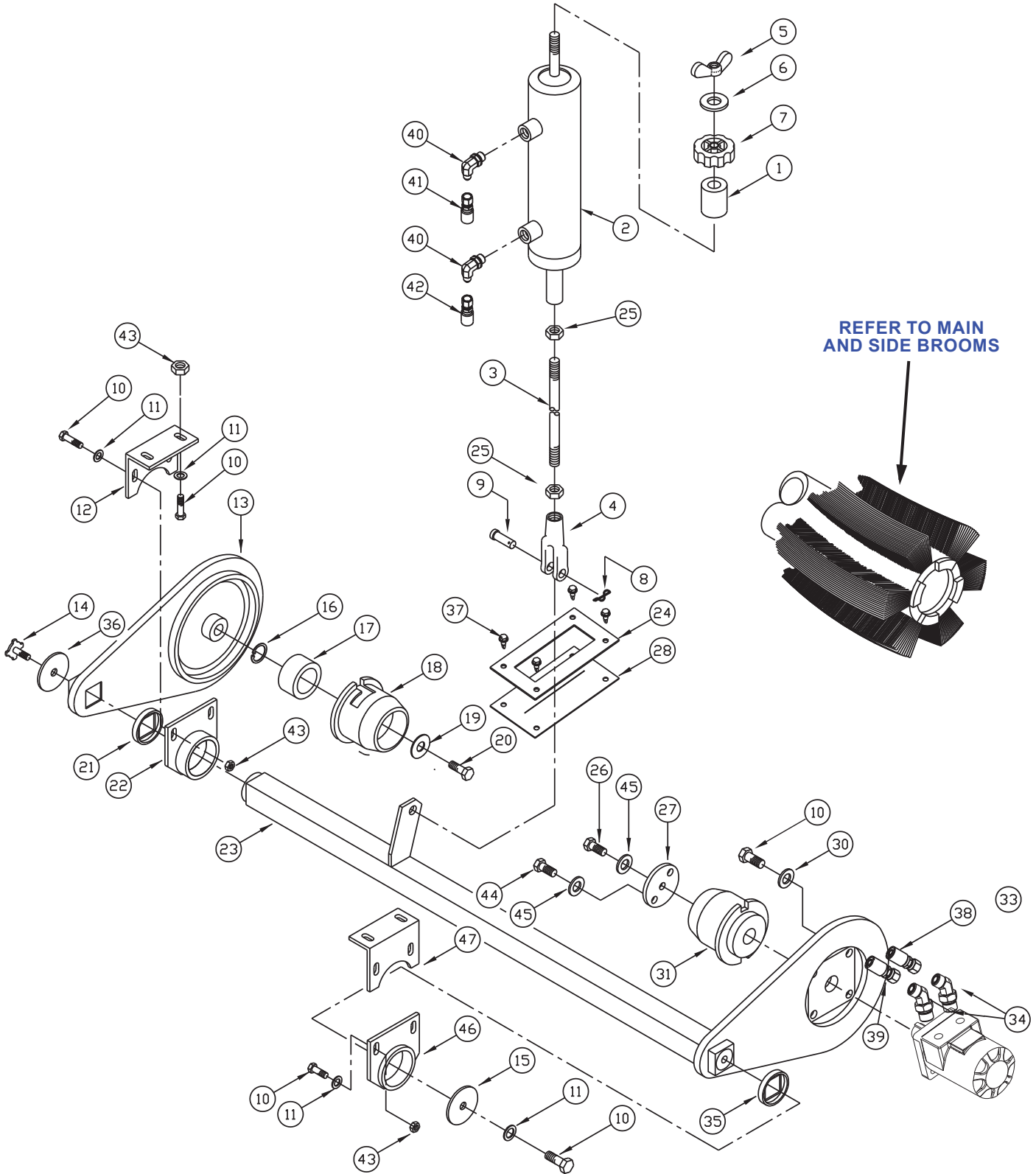
LIFT ARM PART 1			
ITEM	PART NO.	QTY	DESCRIPTION
31	3337952	2	WELD - ROTATION PIN ZP
32	3300836	2	BEARING—2.18OD X 2.00ID X .75
33	3300882	4	WASHER-HD 3.25 ODX2.00 ID
34	3307431	4	RING-RETAINING EXT LIFT CYL
35	3318711	1	CYLINDER3"BORE X 13.25 STROKE
	3330887	1	KIT—CYLINDER SEAL (GREEN MFG)
	3331331	1	KIT—CYLINDER SEAL (GOLD STAR)
36	3307408	1	PIN—CYLINDER MOUNT
37	3307431	2	RING—RETAING 5100-125
38	3311724	1	ASSY- LIFT ARM IDLER (INCLUDES ITEMS 39 & 40)
39	3311198P	1	ASSEMBLY—LIFT ARM IDLER
40	3311457	2	BEARING—FIBERGLIDE CJS-2428
41	3400030	2	SCR-HEX,3/8-16X1.00, GRADE 5, ZP
42	3400087	4	WASHER-FLAT 3/8 STANDARD ZP
43	711380	2	NUT-NYLOC 3/8-16 ZP
44	675485	1	HOSE HOP A (STR) TO BASE HOP LFT (STR)

LIFT ARM PART 2



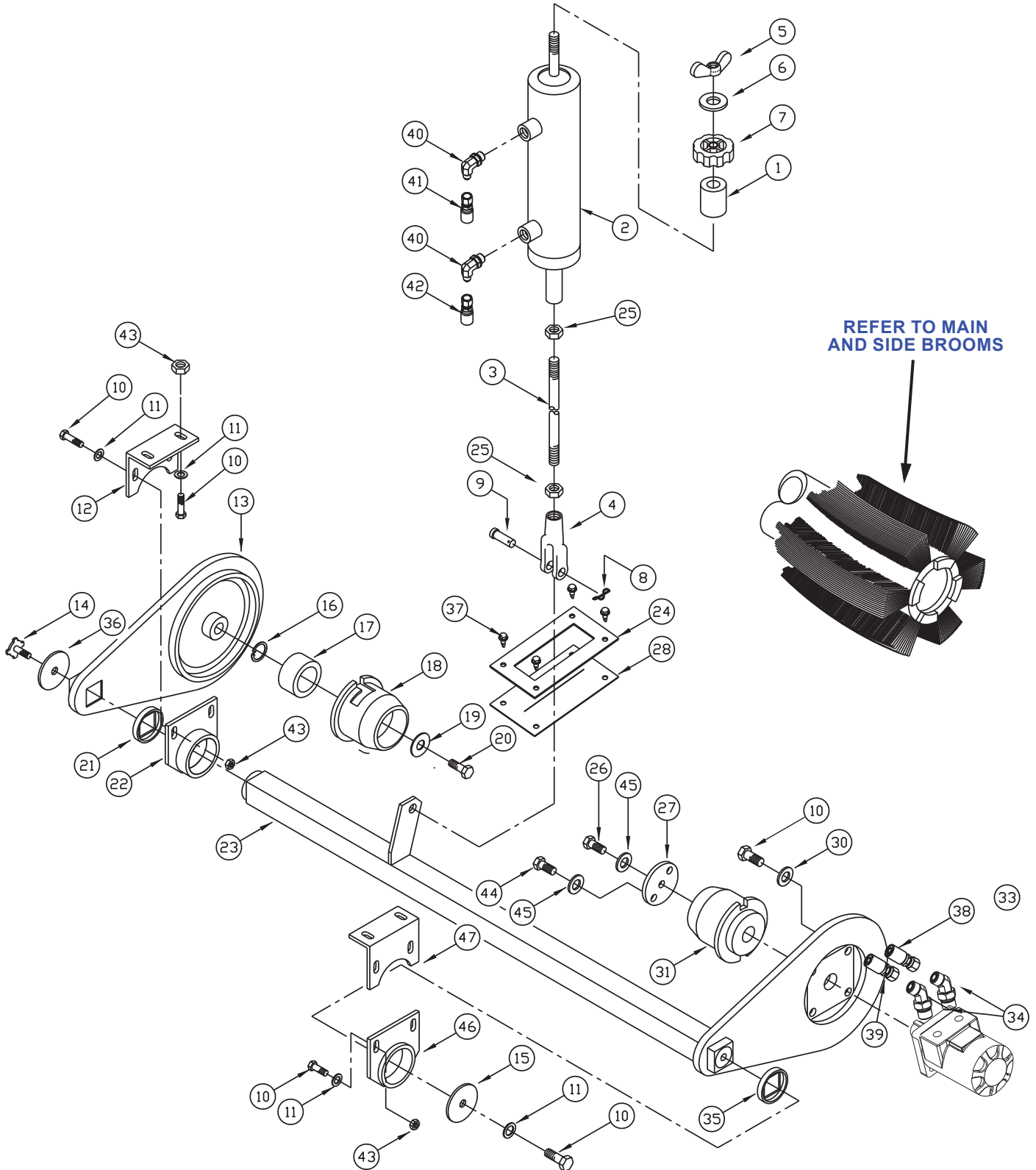
LIFT ARM PART 2			
ITEM	PART NO.	QTY	DESCRIPTION
1	3311206P	1	WELD—ROTATION PLATE RH
2	3311244	2	PLATE—HOPPER DOUBLER
3	3400030	4	BOLT—3/8-16 X 1.0 LONG
4	3400087	4	WASHER—3/8 FLAT
5	3400392	6	NUT 3/8-16 FLANGE LOCK
6	3400444	2	SCREW—FLAT HD 3/8-16 X 1.0
7	3301665	3	GROMMET—Z2056
8	3316890	1	CYLINDER-HYD, ROTATION SINGLE SW/A
9	3400092	2	WASHER—3/8 FENDER
10	675507	4	FTG-STR THD ELBOW -4 ORFS TO -4 SAE
11	675483	1	HOSE HOP D (90) TO HOP ROT ROD (STR)
12	675484	1	HOSE HOP C (90) TO HOP ROT BASE (STR)
13	3311213	1	PIN—ROTATION PLATE CYLINDER ZP
14	3400219	1	BOLT 5/16-18 X .50 ZP
15	3311458	4	BEARING—FIBERGLIDE LTD-2442
16	3400102	1	WASHER—LOCK 5/16 SPLIT ZP
17	3307607	1	PIN—CYL RETAINING
18	3301998	2	RETAINING RING
19	3311330	4	RETAINING RING 5100-150
20	3400121	5	PIN-COTTER 5/32 X 1.50 ZP
21	3400439	2	PIN—CLEVIS 3/4 X 2.00
22	3311012	4	WASHER—HI-DUMP SPACER SEC. ARM
23	661015	2	ASSY-SECONDARY LIFT ARM, 6X
24	3400054	2	SCREW— SET 1/4-20 X .25 LONG ZP
25	3319089	1	ASSY- BLOCK CYL (INCLUDES ITEMS 26 & 27)
26	3300229	1	ASSEMBLY—BLOCK CYLINDER PLTD
27	3300552	1	BEARING—1.0ID X 1.50LG
28	3311722	1	ASSY- LIFT ARM CYLMNT (INCLUDES ITEM 29 & 30)
29	3311200P	1	ASSEMBLY—LIFT ARM CYLINDER MOUNT
30	3311457	2	BEARING—FIBERGLIDE CJS-2428

MAIN BROOM ASSEMBLY



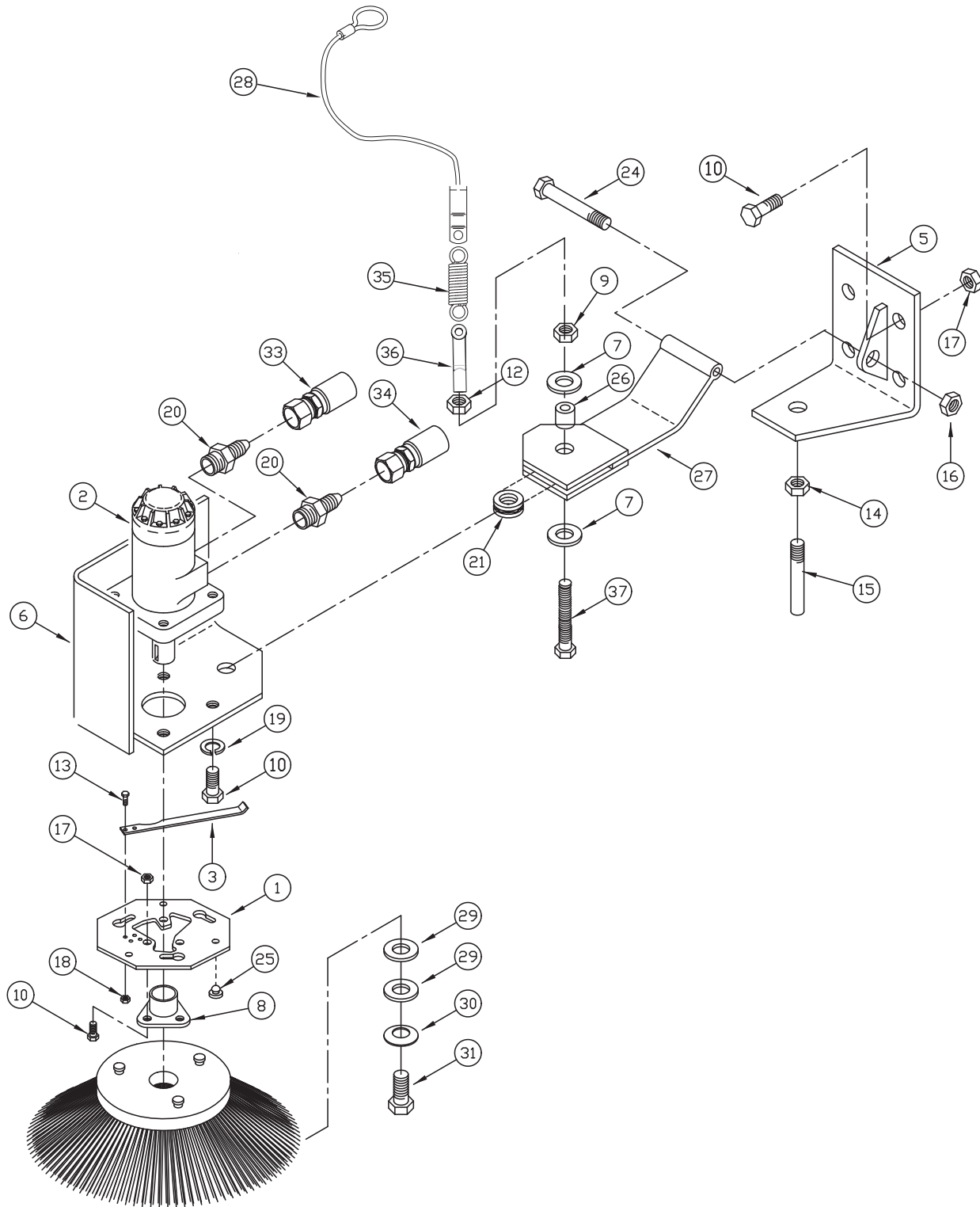
MAIN BROOM ASSEMBLY			
ITEM	PART NO.	QTY	DESCRIPTION
1	3307181	1	SPACER-MAIN BROOM SW/A PLTD
2	3338129	1	CYLINDER—MAIN BROOM LIFT SW6XV
3	3338192	1	ROD—MAIN BROOM LIFT SW/6XV
4	3301447	1	CLEVIS WITH PIN AND COTTER (INCLUDES #8 AND #9)
5	3400084	1	NUT—WING 1/2-13 ZP
6	3400091	1	WASHER—FENDER 1/2 ZP
7	3300352	1	KNOB—MB LIFT HDJ
8	3400125	1	PIN—COTTER 3/8 RUE RING
9	3400117	1	PIN—CLEVIS 3/8 X 1-1/8
10	3400030	9	SCREW—HEX 3/8-16 X 1.00
11	3400385	5	WASHER—CONICAL SPRING 3/8
12	3318675	1	ANGLE—MAIN BROOM TUBE BRG MNT
13	3311147P	1	ASSEMBLY—MAIN BROOM IDLER ARM PNTD
14	3318429	1	KNOB—MB IDLER RETAINER
15	3311013	1	WASHER—MAIN BROOM RETAINER PLTD
16	711705	1	RET RING-INT 2.125
17	3309618	1	BEARING—STEERING ARM 205PP
18	3301051	1	HUB—BROOM IDLER PNTD
19	3400091	1	WASHER—FENDER 1/2 ZP
20	3400024	1	SCR-HEX, 1/2-13X0.75 ZP
21	3311022	1	BUSHING—MAIN BROOM
22	3311161	1	WELDMENT—MAIN BROOM TUBE BRG MNT R / H
23	3338043P	1	WELD—PIVOT TUBE
24	3311425	1	RETAINER-MB LEVER SEAL PLTD
25	3400075	2	NUT-HEX JAM 3/8-24 ZP
26	3400049	3	SCR—SOC 1/4-20 X 0.75 ZP NYLOCK
27	3301285	1	RETAINER—DR HUB PLTD
28	3311424	1	SEAL-MAIN BROOM LEVER
30	3400101	4	WASHER—LOCK 3/8 SPLIT ZP
31	3301050-CG	1	HUB—MAIN BROOM DRIVE PNTD

MAIN BROOM ASSEMBLY (CONTINUED)



MAIN BROOM ASSEMBLY			
ITEM	PART NO.	QTY	DESCRIPTION
33	3316894	1	MOTOR—HYDRAULIC MAIN BROOM 621C THRU 77
34	3400690	2	FTG-8-10V5OLO-S 45ST THD ELL SL
35	3311022	1	BUSHING—MAIN BROOM PLASTIC
36	3307818	1	SPACER-SHOCK DISK PLTD
37	3311374	4	SCREW-HEX, 1/4-14X3/4 SELF TAP
38	675477	1	HOSE BRM MTR B (STR) TO M3 (STR)
39	675476	1	HOSE BRM MTR A (STR) TO M4 (STR)
40	675507	2	FTG-STR THD ELBOW -4 ORFS TO -4 SAE
41	675478	1	HOSE C3 (STR) TO BASE BRM LIFT (STR)
42	675479	1	HOSE C4 (90) TO ROD BRM LIFT (STR)
43	3400392	4	NUT-FLANGE LOCK 3/8-16
44	3400049	3	SCR—SOC 1/4-20 X 0.75 NYLOCK
45	3400103	3	WASHER—LOCK 1/4 SPLIT ZP
46	3318674	1	BEARING—MOUNT L / H
47	3318634	1	ANGLE—L / H

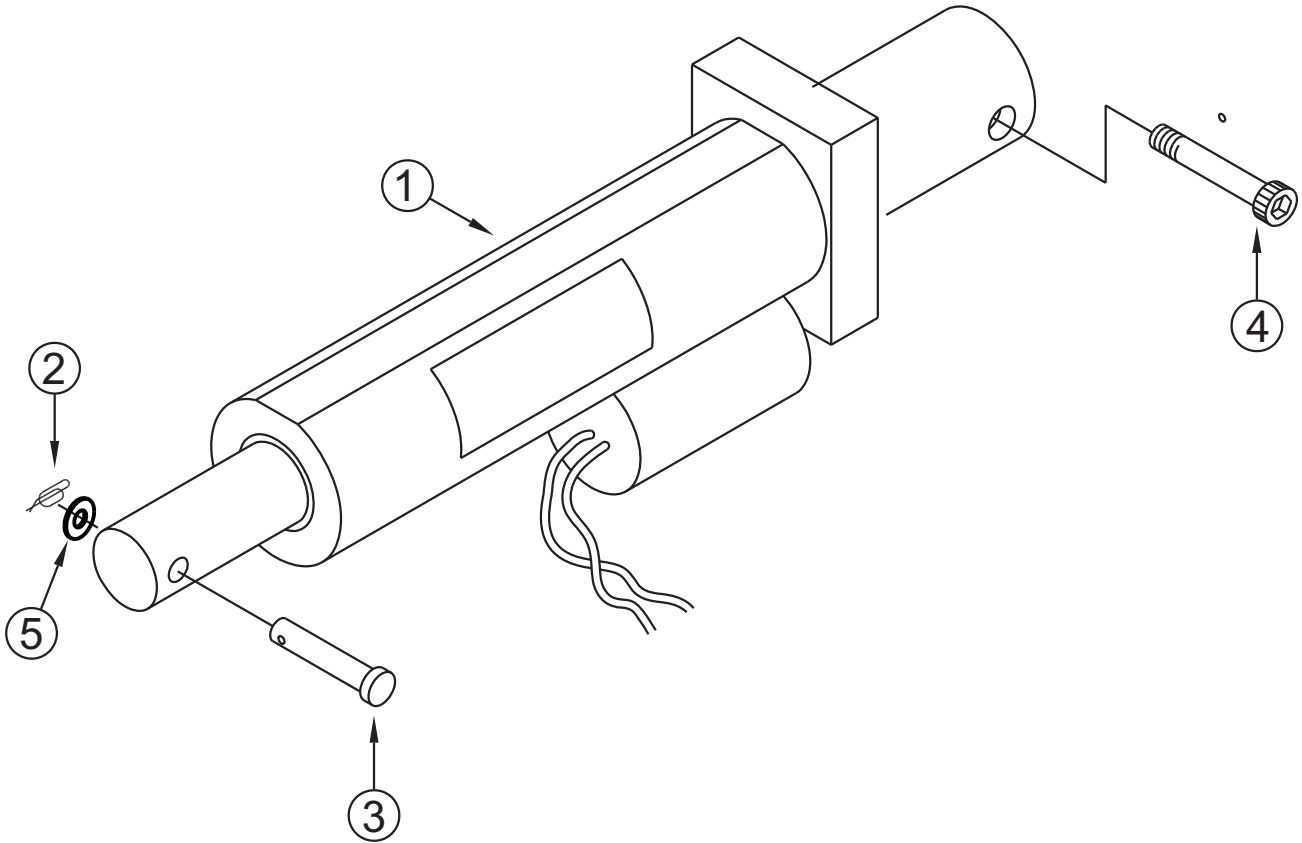
SIDE BROOM ASSEMBLY



**REFER TO MAIN
AND SIDE BROOMS**

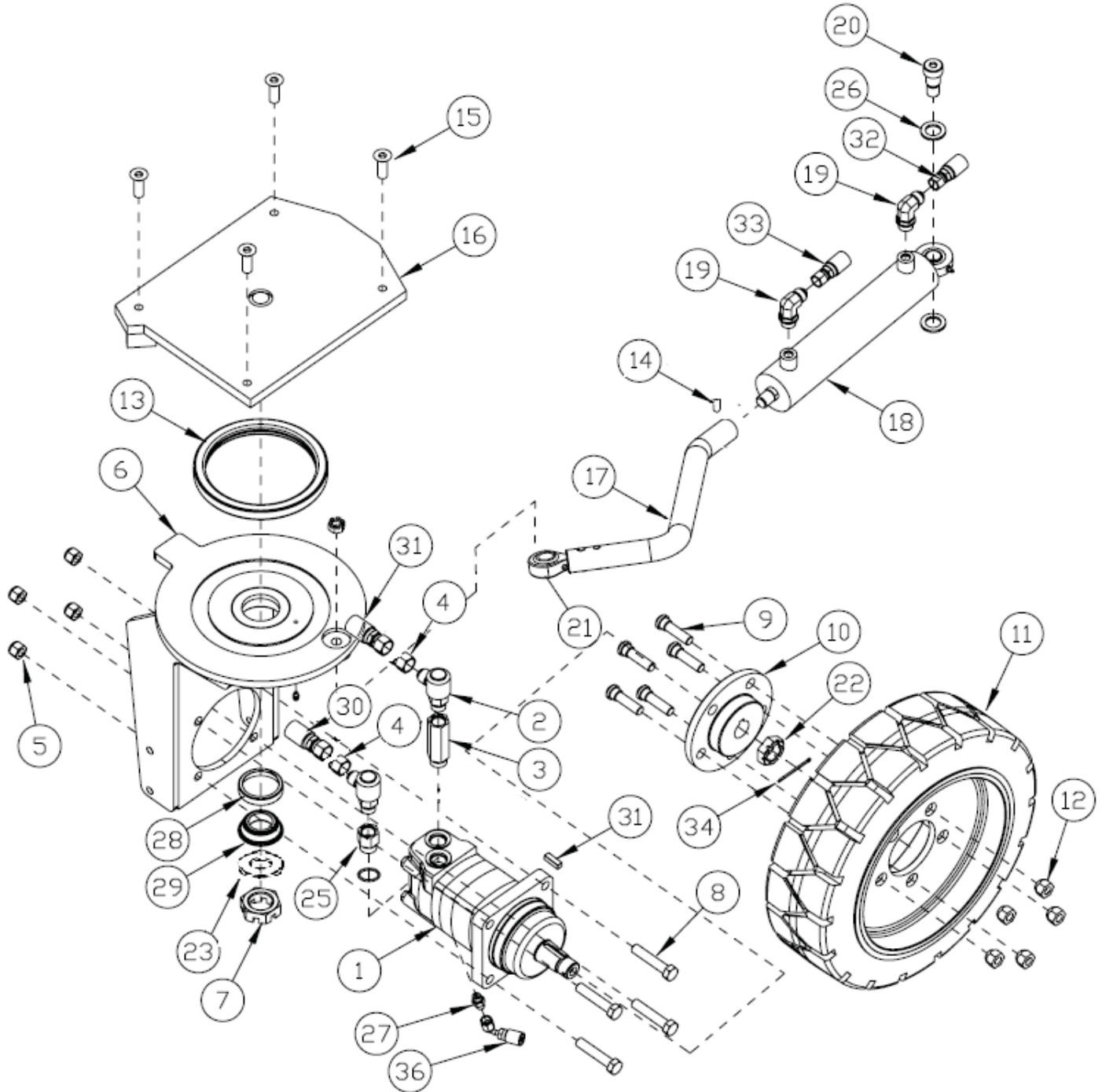
SIDE BROOM ASSEMBLY			
ITEM	PART NO.	QTY	DESCRIPTION
1	3301262	1	PLATE—GIMBAL SCHD
2	3316897	1	MOTOR—HYD CURB BRM
3	3302058	1	BAR-CURB BROOM RETAINER ZP
4	3302082	1	KEY—HEX HYD MOTOR
5	3313202P	1	ASSEMBLY—MOUNT CURB BROOM
6	3313207P	1	MOUNT—CURB BROOM MOTOR
7	711855	2	WASHER-FENDER 3/8 X 1.12 X .10 ZP HARD
8	3343107	1	PLATE GIMBLE 62/72 GAS/DS PCP
9	3400420	1	NUT-HEX 5/16-24 ES
10	3400030	3	SCREW—HEX 3/8-16 x 1.0
12	3400069	1	NUT—HEX 5/16-24 ZP
13	713002	2	SCREW—HEX 1/4-20 x .75 ZP GR 5
14	3400064	1	NUT-HEX 1/2-20 ZP
15	3400404	1	SCREW-SET,1/2-20X3.00 ZP
16	3400317	1	NUT-JAM 1/2-13 ZP NYLOC
17	711380	7	NUT-NYLOC 3/8-16 ZP
18	711373	2	NUT-NYLOC 1/4-20 ZP
19	3400101	4	WASHER—LOCK 3/8
20	3400689	2	FTG-ST THD CON S-L ORFS
21	3400178	2	BRG—THRUST .531ID x 1.00OD
22	3400030	4	SCREW—HEX 3/8-16 x 1.0
24	3400018	1	SCREW—HEX 1/2-13 x 4.00 ZP
25	3300526	3	BUMPER-RUBBER 1/4 ID X 1/8 THK
26	3307241	1	SPACER—HAND BRAKE PLTD SW/A
27	3313203P	1	ASSEMBLY—ARM SIDE BROOM
28	661280	1	TORSION CABLE, CURB BROOM - 6X
29	3400278	2	WASHER—FENDER 3/8
30	3400383	1	WASHER—CONICAL SPRING 1/4
31	3400049	1	SCREW—SOC,1/4-20X0.75 ZP NYLOCK
33	675471	1	HOSE M5 (STR) TO SIDE MTR A (STR)
34	675472	1	HOSE M6 (45) TO SIDE MTR B (STR)
35	661126	1	EXTENSION SPRING, CB - 6X
36	3307642	1	CLEVIS-5/16 PLTD SW/A
37	713531	1	SCR-HH 5/16-24 X 3.50 ZP GR 8 TAP FULL T
-	3400184	1	PIN-CLEVIS (NOT SHOWN-CONNECTS #28 & #35)
-	3400118	1	PIN-CLEVIS (NOT SHOWN-CONNECTS #35 & #36)

SIDE BROOM ACTUATOR



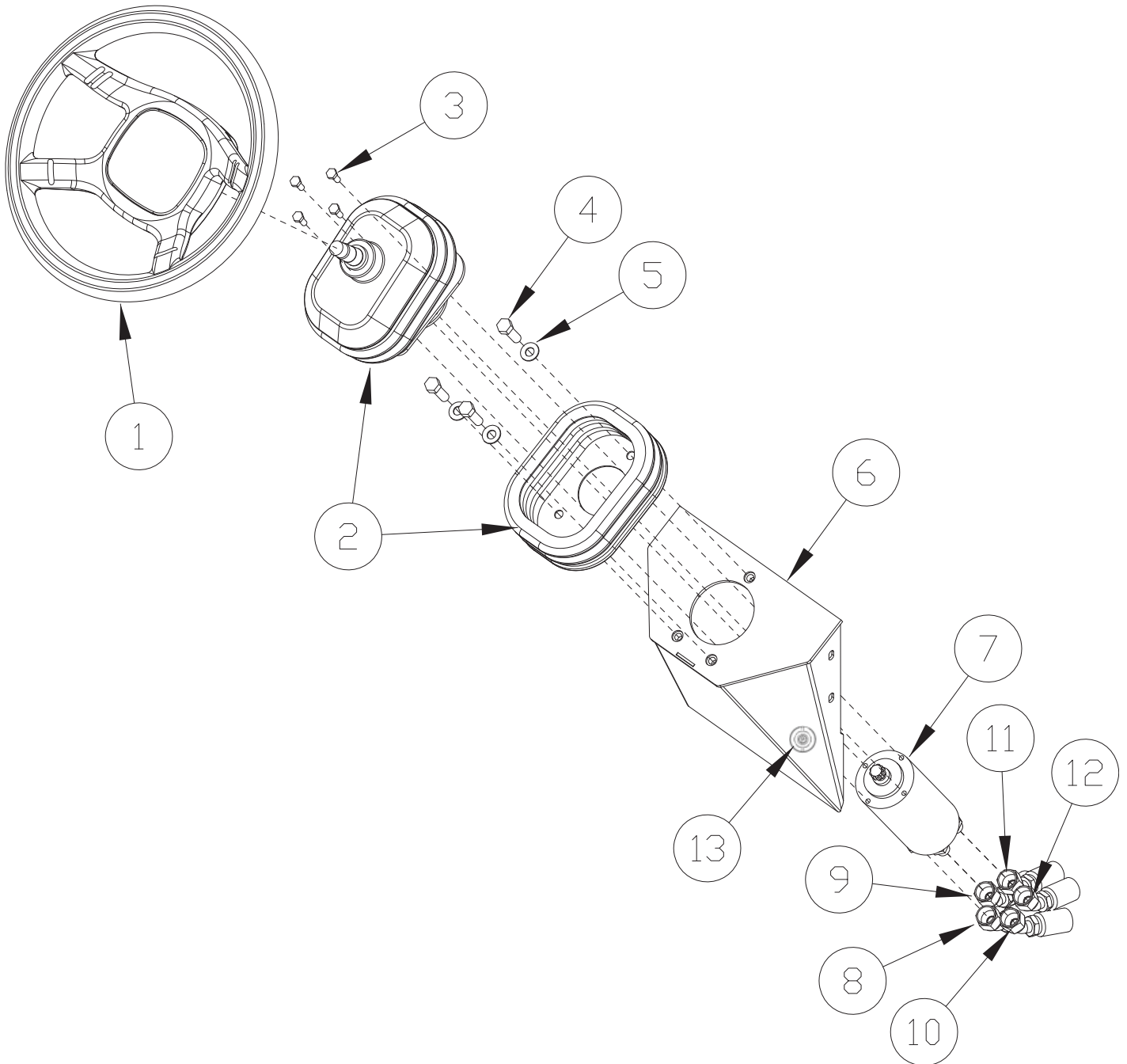
SIDE BROOM ACTUATOR			
ITEM	PART NO.	QTY	DESCRIPTION
-	3318883	1	ASSEMBLY, LINEAR ACTUATOR (REPLACEMENT)
1	748503-1	1	ACTUATOR—CURB BRM 12V 4"STROKE
2	3400125	1	RING-RUE 3/8
3	833833	1	PIN-CLEVIS 5/16X1-1/4 ZP
4	3400726	1	BLT-SHOULDER 3/8 X 1.25 LG X 5/16-18 BLK
5	3400087	1	WASHER-FLAT 3/8 ZP

STEERING ASSEMBLY



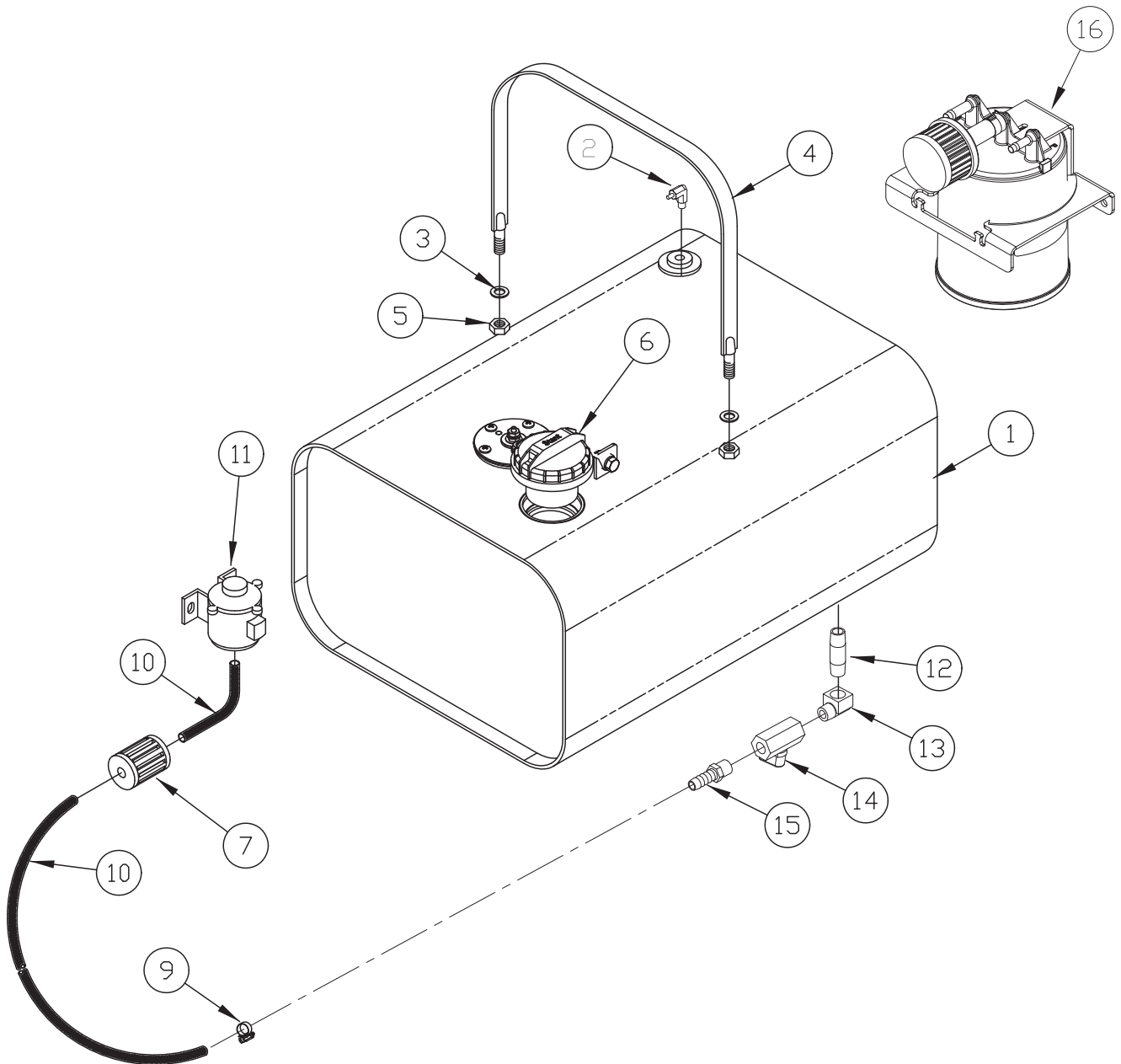
STEERING ASSEMBLY			
ITEM	PART NO.	QTY	DESCRIPTION
1	3301534	1	MOTOR—HYD 2000 SERIES PNTD
2	675563	2	FTG—SWIVEL 3/4-16 TO #8
3	675569	1	FTG—SPECIAL WHEEL MOTOR
4	675564	2	FTG-STR THD CONNECTOR
5	711376	4	NUT-NYLOC 1/2-13 ZP
6	3338080P	1	WELD—STEERING FORK
7	620066	1	NUT-CASTLE 1 1/4-12 JAM ZP
8	3400019	4	SCR—HEX 1/2-13 X 2.50 ZP
9	3400938	5	STUD-FRONT WHEEL 62/72
10	3338076	1	HUB—REAR WHEEL PNTD MS
11	3318690	1	WHEEL—5 X 10.5 X 16 MOLDED
12	3300411	5	NUT—WHEEL LUG
13	3300472	1	BRG—THRUST 5.812ID X 7.00OD
14	3400826	1	SCR-SET 1/4-28 X .250 BLK OX CP
15	3401022	4	SCREW-FLT, 1/2-13 X 1.00 SOC
16	3330642P	1	FORK MNT 6X PLT
17	661018	1	WD-STEERING LINK ASSY - 6X
18	3318452	1	CYLINDER—STEERING
19	675568	2	FTG-STR THD ELBOW
20	3400214	1	SCR-HH 3/4-10 X 2.75 ZP GR 5 FULL THD TA
21	3400012	2	FTG—GREASE
22	3400223	1	NUT-HEX SLOTTED 1-20
23	3337628	1	WASHER FLAT 1.28 ID X 2.00 OD ZP
25	3400166	1	FITTING ADAPTER 7/8-14 EXT TO 3/4
26	712318	2	WASHER-FLAT 3/4 X 1.12 X .12 ZP
27	675507	1	FTG-STR THD ELBOW -4 ORFS TO -4 SAE
28	3300470	1	BEARING-TAPERED ROL CUP
29	3300471	1	BEARING-TAPERED ROLCONE W/SEAL
30	675489	2	HOSE PROP PUMP A TO PROP MTR A
31	675490	1	HOSE PROP PUMP B TO PROP MTR B
32	675482	1	HOSE TOP BLK (90) TO BASE STR (STR)
33	675481	1	HOSE BTM BLK (90) TO ROD STR (STR)
34	3400122	2	PIN-COTTER 1/8 X 2.00 ZP
36	675488	1	HOSE C7 (90) TO PROP DRN (STR)

TILT STEERING ASSEMBLY



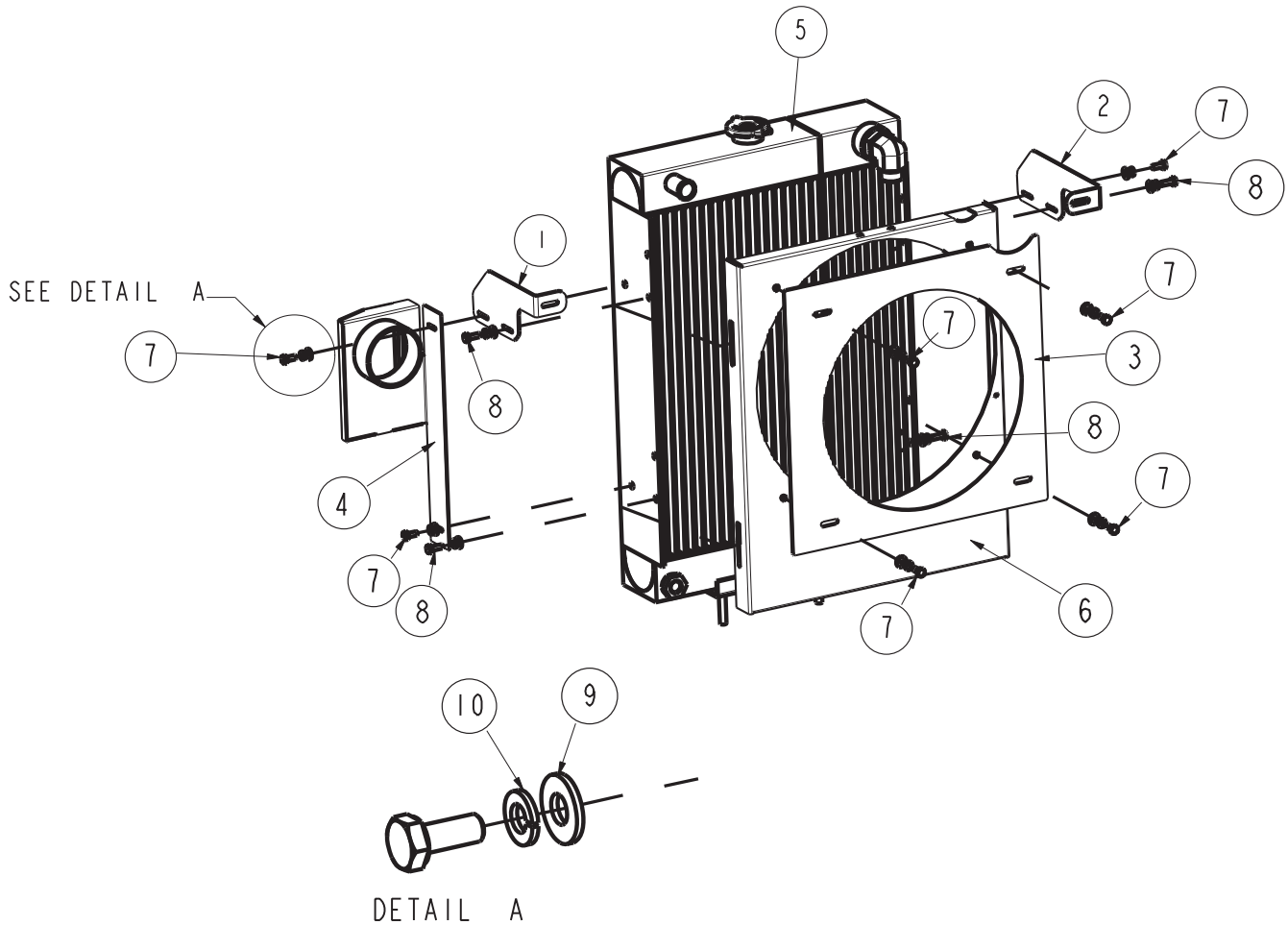
TILT STEERING ASSEMBLY			
ITEM	PART NO.	QTY	DESCRIPTION
1	3338215	1	WHEEL-STEERING W/COVER SW/6XV
2	3343165	1	COLUMN-STEERING TILT
3	3402054	4	SCR-SHCS M6-1.0 X 12 ZP
4	713043	3	SCR-HH 3/8-16 X 1.25 ZP GR 5
5	3400385	3	WASHER-CONICAL SPRING 3/8
6	3338235P	1	WELD - TILT STEERING CONSOLE
7	3330598	1	STEERING UNIT-OSPM 100PB
8	675473	1	HOSE STR L (45) TO TOP BLK (STR)
9	675474	1	HOSE STR R (45) TO BTM BLK (STR)
10	675475	1	HOSE STR P (45) TO ST (STR)
11	675486	1	HOSE HOP OUT (STR) TO STR T (45)
12	675487	1	HOSE HOP IN (STR) TO STR PB (45)
13	747040	1	SWITCH-IGNITION R POSITION

FUEL TANK - GAS AND DIESEL



FUEL TANK - GAS AND DIESEL			
ITEM	PART NO.	QTY	DESCRIPTION
1	3337858	1	FUEL TANK
2	3307778	1	FTG-ELBOW 90 1/4 MPT X 1/8 HB BRASS
3	3400087	2	WASHER-FLAT 3/8 STANDARD ZP
4	3318401	1	STRAP—FUEL TANK
5	711380	2	NUT-NYLOC 3/8-16 ZP
6	3343413	1	CAP FUEL CAP
7	3309249	1	FILTER—FUEL (DSL)
	3306606		FILTER—FUEL (GAS)
9	3302338		CLAMP-HOSE .22 TO .62
10	3500104	FT.	HOSE-NEOPRENE 5/16 ID
11	3335871	1	PUMP—FUEL (DSL)
	3337634		PUMP—FUEL (GAS)
12	620663	1	FTG-NIPPLE 1/4 NPT X 1/4 NPT X 2 IN
13	620238	1	FITTING, 1/4 NPT STREET ELBOW, BRASS
14	3400499	1	VALVE-MINATURE 1/4 FPT BALL
15	620052	1	FTG-ADAPTER 1/4 NPT X 5/16 HB
16	3337062	1	ASSY - 6X GAS CARBON CANISTER (FOR CALIFORNIA-GAS MODELS ONLY)

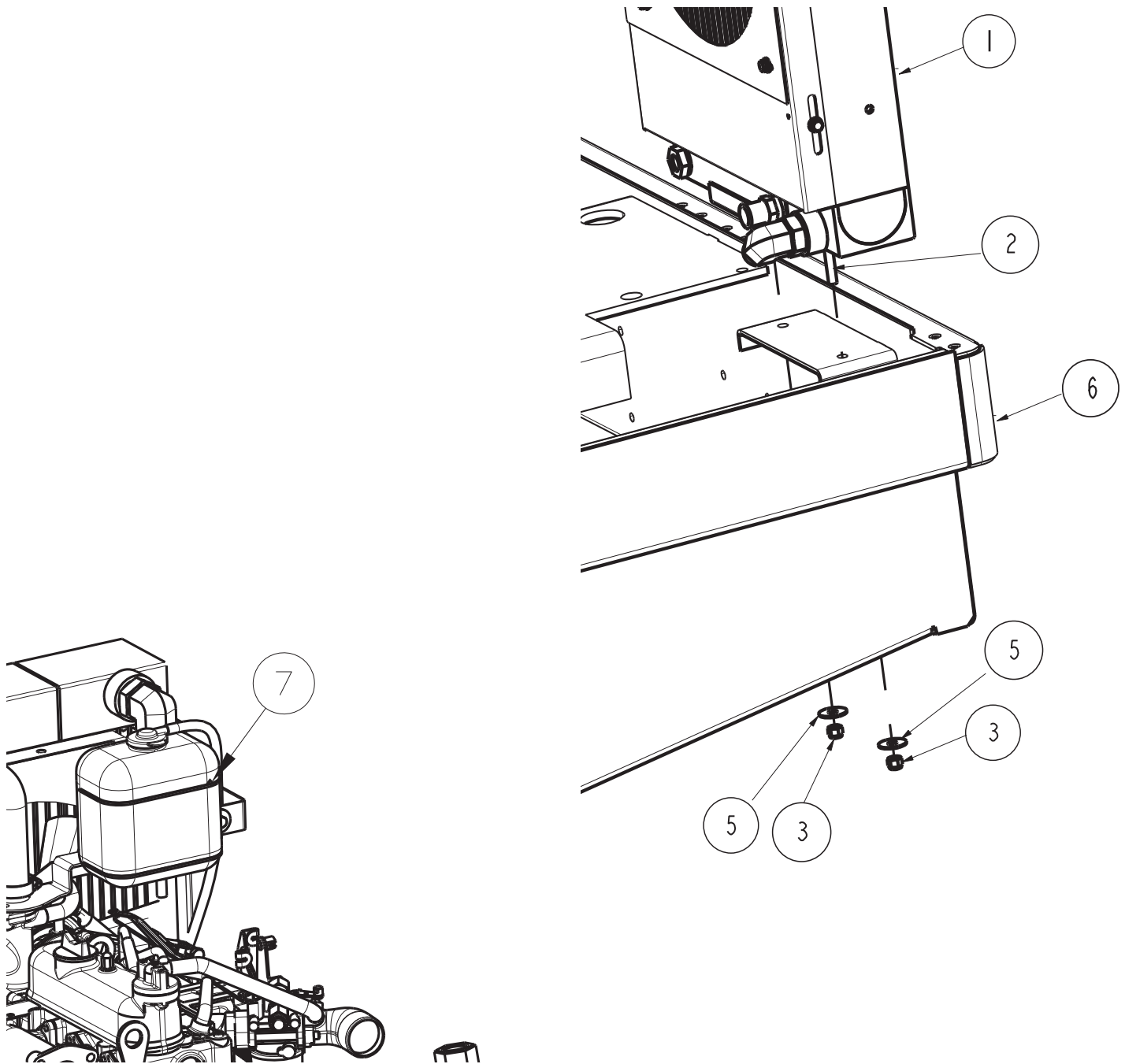
RADIATOR COMPONENTS - 661141/DSL - 661187/LP_GAS - PAGE 1



BILL OF MATERIAL

ITEM	PART NO.	QTY	DESCRIPTION
1	661131	1	RAD BRKT, INNER - 6X
2	661132	1	RAD BRKT, OUTER - 6X
3	661134	1	RAD SHROUD FILLER PLATE - 6X
4	661140	1	WD-DIVERTER, IMPELLER EXHAUST
5	661149	1	ASSY, RADIATOR W/FTGS - 6X
6	690150	1	ASSY, FAN SHROUD, DSL/LP/GAS
7	713001	7	SCR-HH 1/4-20 X .62 PLAIN GR 5
8	713002	4	SCR-HH 1/4-20 X .75 ZP 5
9	3400089	11	WASHER-FLAT 1/4 ZP
10	3400103	11	WASHER-LOCK 1/4 SPLIT ZP

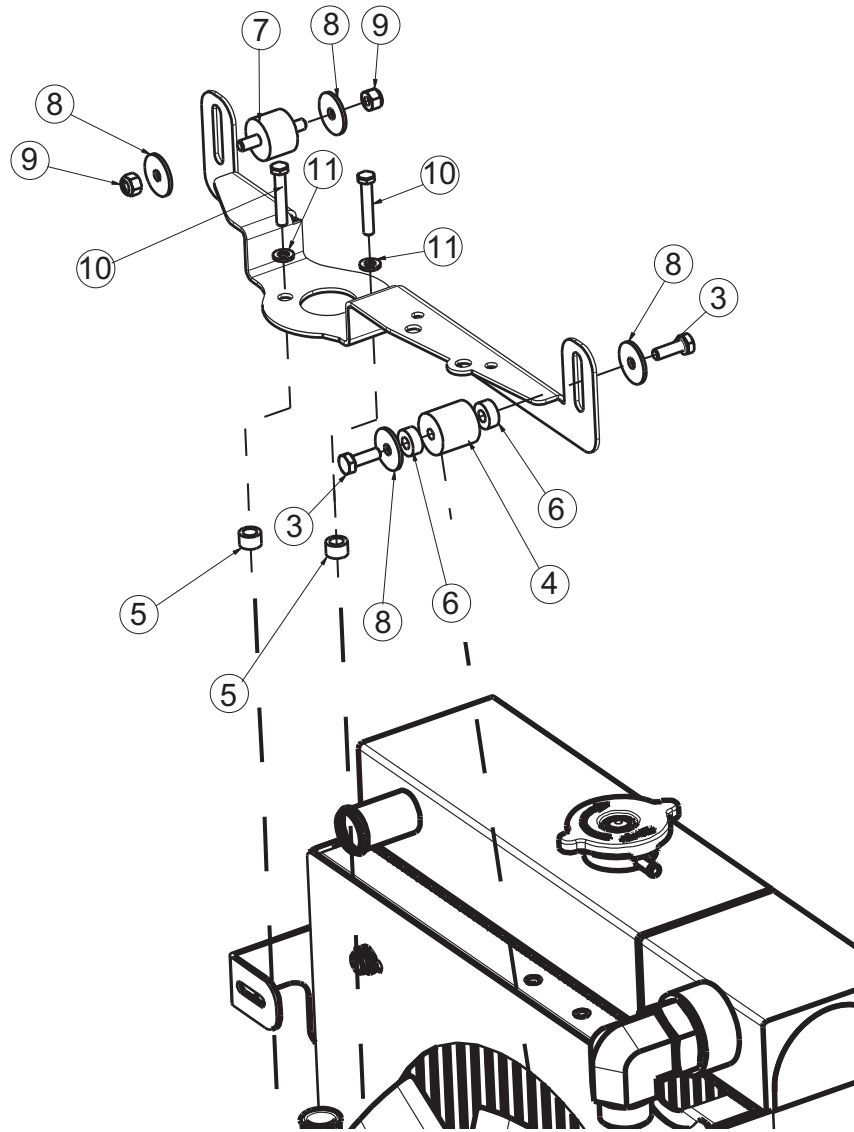
RADIATOR COMPONENTS - 661141/DSL - 661187/LP_GAS - PAGE 2



BILL OF MATERIAL

ITEM	PART NO.	QTY	DESCRIPTION
1	661149	1	ASSY, RADIATOR W/FTGS - 6X
2	711254-1	2	BLT-CARR 3/8-16 X 2.50 ZP GR 5
3	711380	2	NUT-NYLOC 3/8-16 ZP
5	3400278	2	WASHER-FENDER 3/8 X 1.25 ZP
6	3338082M	1	MAIN FRAME 6X, SDG
7	3344101	1	RESERVOIR 5.5" X 3.5" X 5.5" KBA

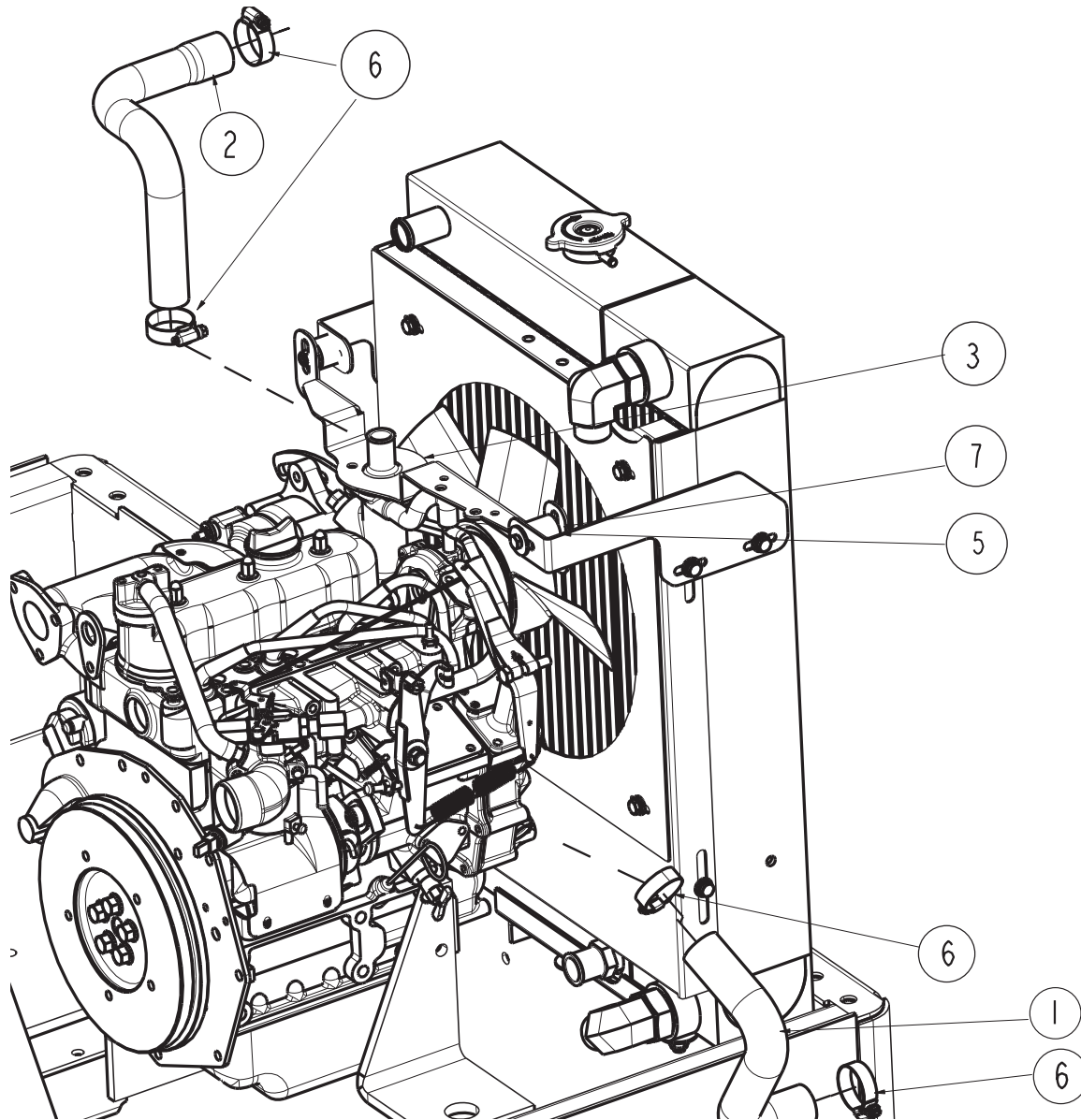
RADIATOR COMPONENTS - 661141/DSL - 661187/LP_GAS - PAGE 3



BILL OF MATERIAL

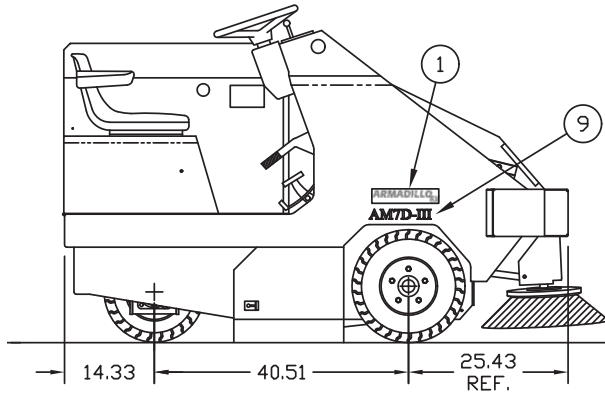
ITEM	PART NO.	QTY	DESCRIPTION
1	661186	1	BRKT, RADIATOR, UPPER, LP/GAS
	661133		BRKT, RADIATOR, UPPER, DSL
3	713002	6	SCR-HH 1/4-20 X .75 ZP 5
4	713595	1	ISOLATOR, VIBRATION MNT, 1/4-20 FEM THR
5	3335273	2	SPACER-.32 OD X .499 OD X .31 LG (GAS/LP ONLY)
6	3335274	2	SPACER-.28 ID X .625 OD X .26 LG
7	3344112	1	ISO-CYL, 1 DIA X 3/4 X 1/4-20,50LBS
8	3400090	4	WASHER-FENDER 1/4 X 1.00 ZP
9	3401021	2	NUT-JAM 1/4-20 ZP NYLOC
10	11038130	2	BLT-HH M6 X 1.0 X 35 STL ZD 8.8 DIN 933 (GAS/LP ONLY)
11	12310033	2	WASHER-FLAT M6.4 X 12 X 1.6 ZP (GAS/LP ONLY)

RADIATOR COMPONENTS - 661141/DSL - 661187/LP_GAS - PAGE 4

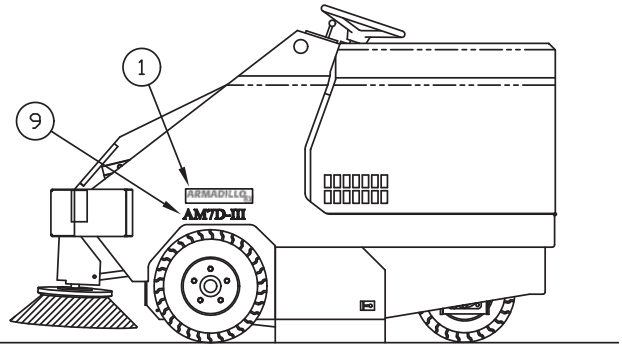


BILL OF MATERIAL			
ITEM	PART NO.	QTY	DESCRIPTION
1	661135	1	RAD HOSE, LOWER, 6X
2	661185	1	HOSE, UPPER RADIATOR, LP/GAS
	3332643		HOSE, UPPER RADIATOR, DSL
3	661186	1	BRKT, RADIATOR, UPPER, LP/GAS
	661133		BRKT, RADIATOR, UPPER, DSL
5	713595	1	ISOLATOR, VIBRATION MNT, 1/4-20 FEM THR
6	3302193	4	CLAMP-HOSE 1.25 NOM
7	3335274	2	SPACER-.28 ID X .625 OD X .26 LG
8	3338082M	1	MAIN FRAME 6X, SDG

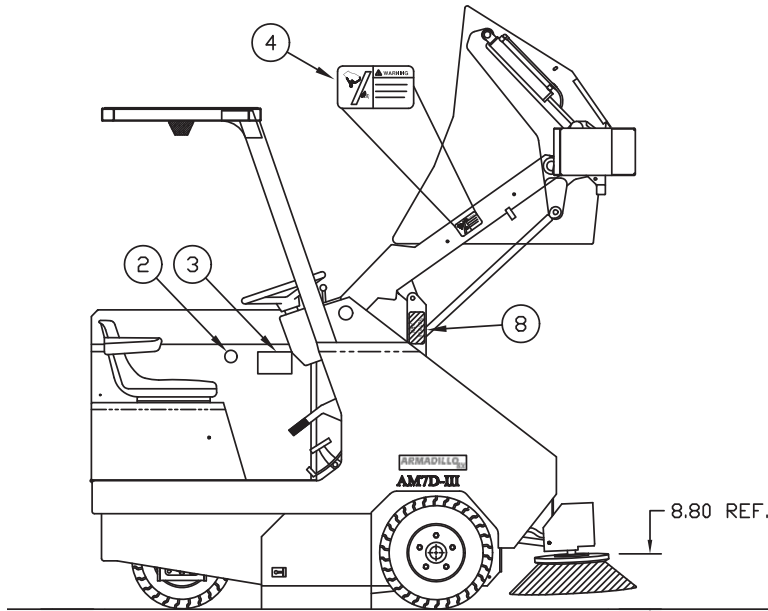
DECAL LAYOUT



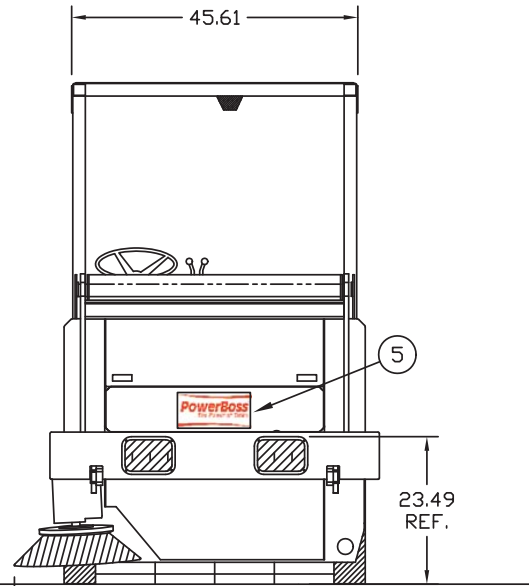
Right-Hand View



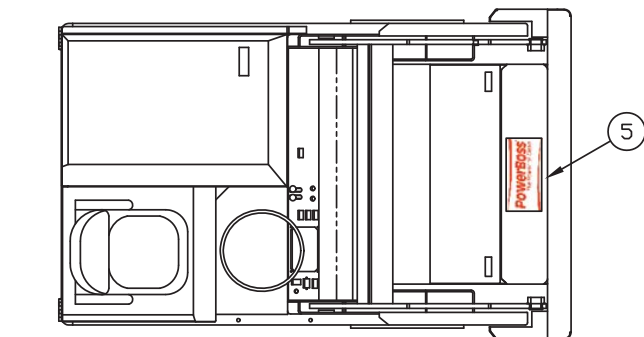
Left-Hand View



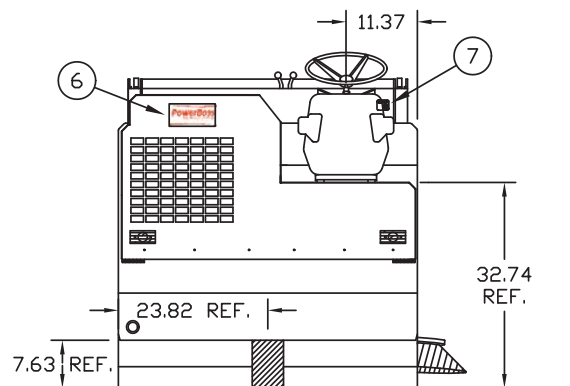
Lift View



Front View



Top View

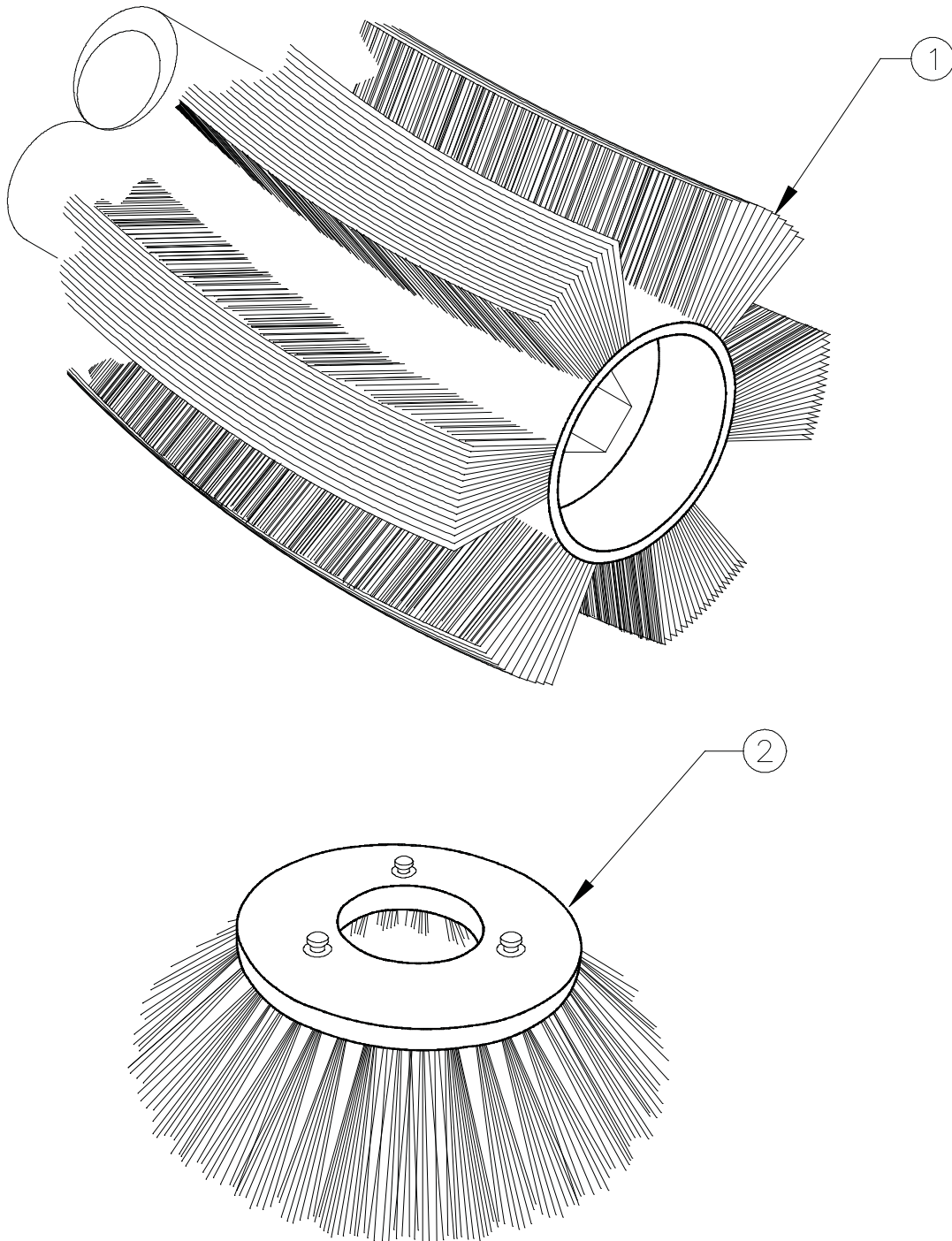


Rear View

DECAL LAYOUT			
ITEM	PART NO.	QTY	DESCRIPTION
1	3343876	2	DECAL-ARMADILLO 6X (ARMADILLO 6X ONLY)
2	3334827	1	DECAL-MADE IN USA, 1.75 DIA (ARMADILLO 6X ONLY)
3	3301854	1	DECAL-CAUTION, 5X4.50"
4	3301732	1	DECAL—WARNING HOPPER ARMS
5	3334900	1	DECAL-LARGE MACHINE POWERBOSS
6	3334901	1	DECAL-MEDIUM MACHINE POWERBOSS
7	3307599	1	DECAL-IGNITION SW/A
8	3333298	1	DECAL-SAFETY ARM
9	715424	2	DECAL - AM7D-III (AM7D-III ONLY)
*	3301733	2	DECAL-WARNING FAN (RAD SHROUD) (NOT SHOWN)
*	3301729	1	DECAL-WARNING FAN INLET (IMP) (NOT SHOWN)

BROOM PARTS BREAKDOWN
MAIN AND SIDE BROOMS

Note: Side brooms also called curb brooms.



MAIN AND SIDE BROOMS			
ITEM	PART NO.	QTY	DESCRIPTION
1	3300302	1	36" (91 CM) PROEX & WIRE (STANDARD)
	3300304	1	36" (91 CM) HIGH DENSITY NYLON, BLACK
	3300314	1	36" (91 CM) NYLON
	3300316	1	36" (91 CM) PATROL (HERRINGBONE)
	3300320	1	36" (91 CM) HIGH DENSITY NATURAL FIBER & WIRE
	3315384	1	36" (91 CM) STIFF NYLON
	3300324	1	36" (91 CM) MIXED WIRE & NATURAL FIBER
	3300326	1	36" (91 CM) CRINKLE WIRE
	3333484	1	36" (91 CM) TRIPLE ROW POLY
	3300310	1	36" (91 CM) NYLON (STANDARD FOR AM7D-III)
2	3300306	1	24" (61 CM) SIDE BROOM - POLY (BLACK) (STANDARD)
	3300308	1	24" (61 CM) SIDE BROOM - NYLON (WHITE) (OPTIONAL)

Main Broom User's Guide

Proex & Wire - Slightly encrusted soilage & dusty conditions. High heat.

High Density Nylon - Highly effective for small particle soilage. Severe dust environments.

Nylon - General purpose broom with long life bristles.

Natural Fiber & Wire - Good all around broom. Good for high heat applications.

Poly Proex - All purpose broom that stands up well on rough surfaces.

Crinkle Wire - Stiff bristles for compacted grime, oil, grease or mud. Fair to good broom life.

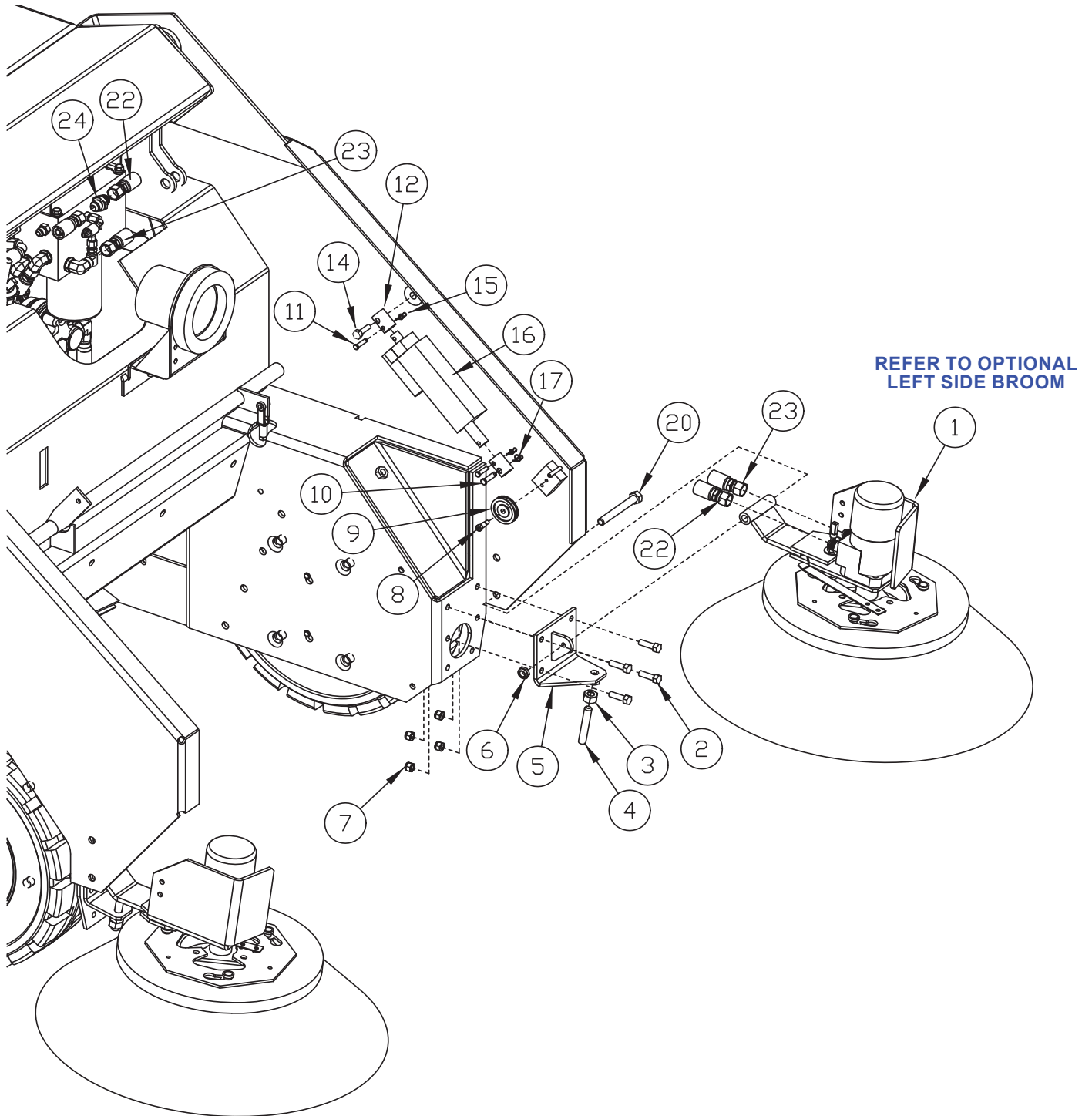
Side Broom User's Guide

Poly - Stiff bristles for aggressive sweeping of mainly heavy litter. Not suited for high heat.

Nylon - Provides longest life. Recommended for tough sweeping jobs.

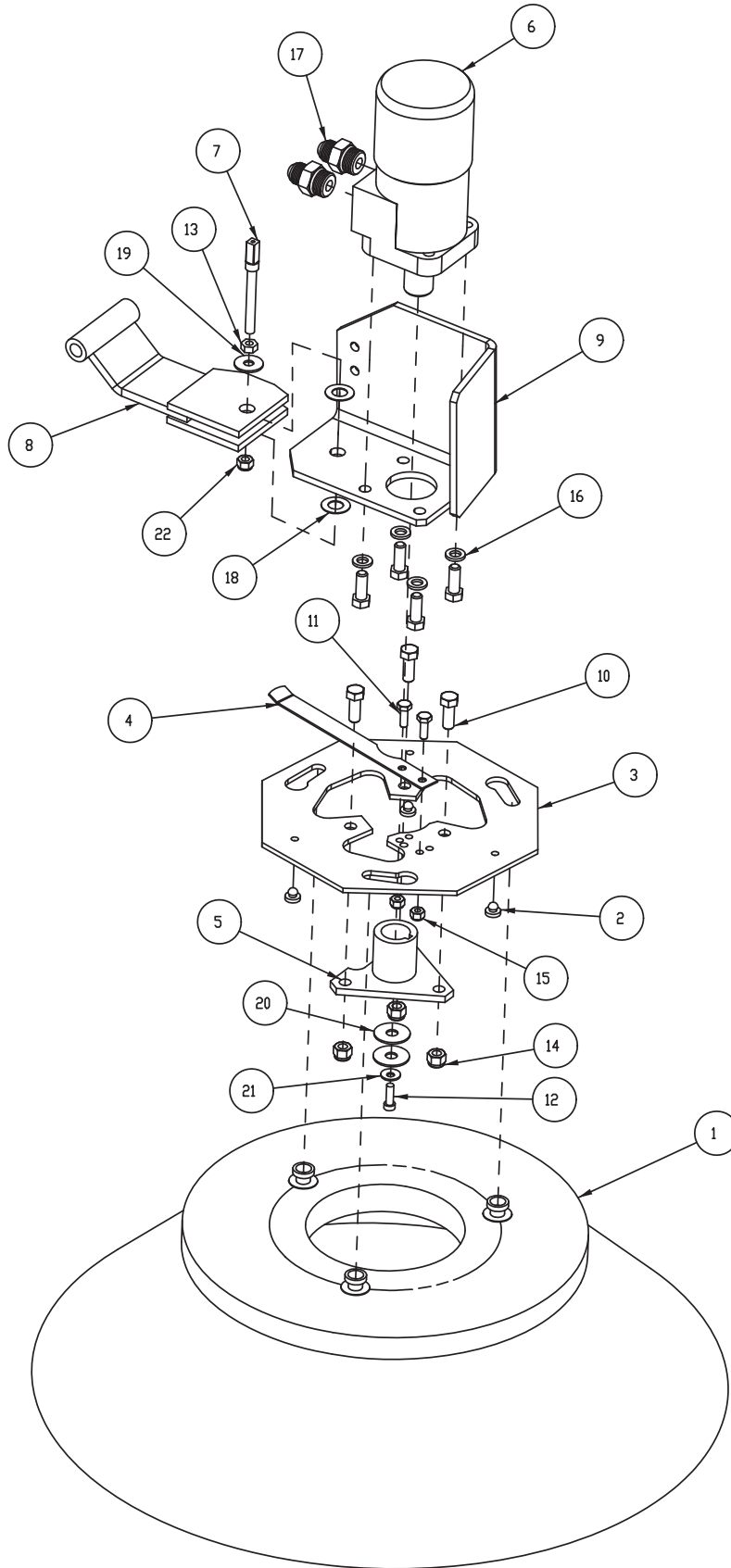
OPTIONS

OPTIONAL LEFT SIDE BROOM ASSEMBLY

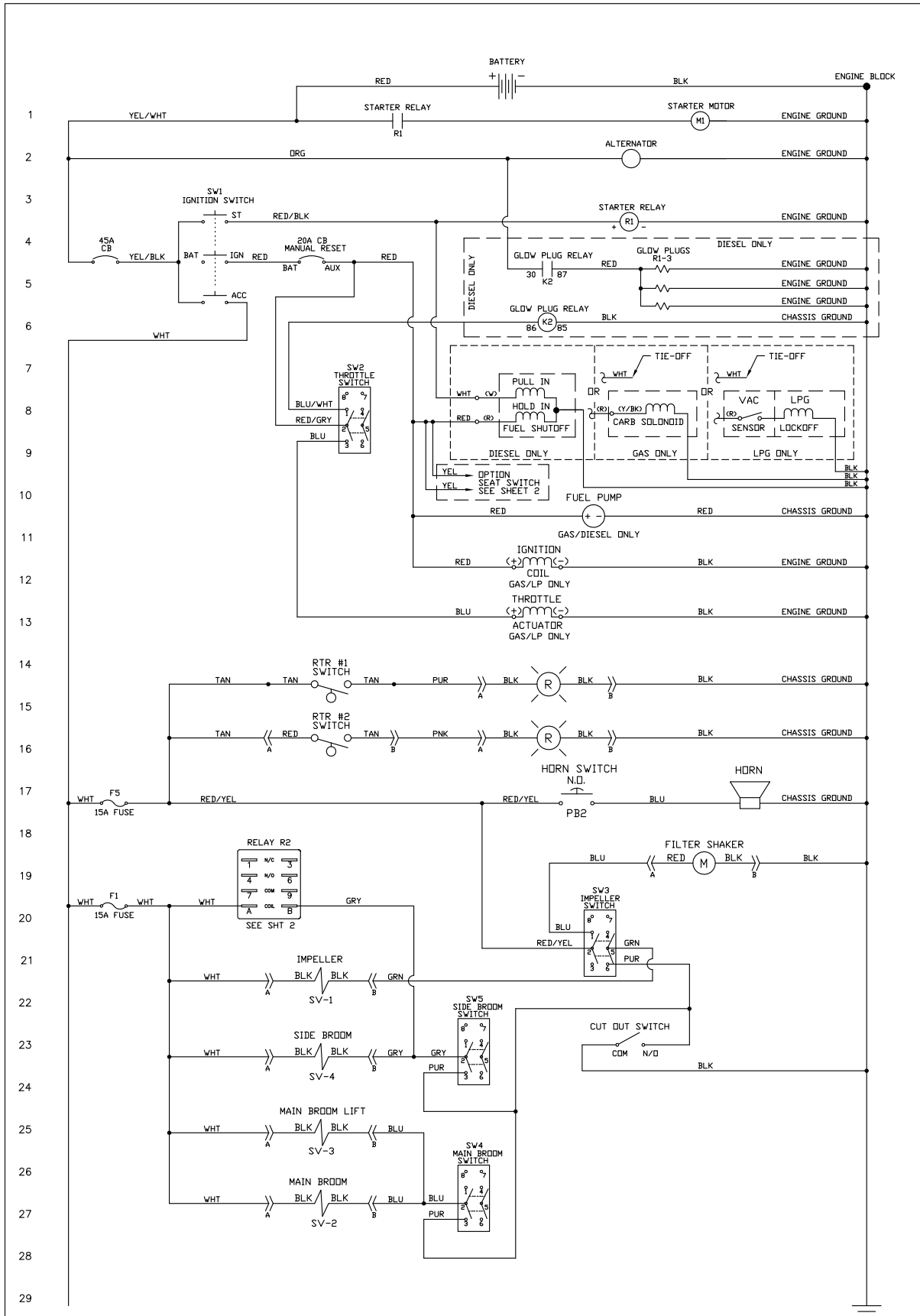


OPTIONAL LEFT SIDE BROOM ASSEMBLY			
ITEM	PART NO.	QTY	DESCRIPTION
1	3321254	1	ASSY-CURB BRM L/H SW62
2	3400029	4	SCREW-HEX,3/8-16X1.25 ZP
3	3400064	1	NUT-HEX 1/2-20 ZP
4	3400404	1	SCREW-SET,1/2-20X3.00 ZP
5	3313202	1	MOUNT-CURB BROOM L/H
6	3400317	1	NUT-HEX JAM 1/2-13 ES ZP
7	3400079	4	NUT-HEX 3/8-16 ES ZP
8	3400051	1	SCREW-HSS 5/16 DIA X .50 ZP
9	3300368	1	PULLEY-PLASTIC 2" DIA W/0.25"
10	3400185	1	PIN-CLEVIS 5/16 X 1-1/4 ZP
11	3318887	2	PIN-CLEVIS 1/4 X 1-1/8
12	3318884	2	ADAPTER-CURB BRM ACTUATOR
14	3401577	1	SCREW-TRUSS 3/8-16 X 2 PH DRV SS
15	3400742	2	RUE RING-1/4 HEAVY Z
16	3318886-1	1	ACTUATOR-CURB BRM 12V 4"STROKE
17	3400125	1	PIN-COTTER 3/8 RUE-RING
20	3400018	1	SCREW-HEX,1/2-13X4.00 ZP
22	3332745	1	HOSE 1/2AR45.O ST#8 ST#8
23	3300646	1	HOSE-1/2 AR 49.50 ST#8 ST#8
24	3400836	1	FITTING-8HTX-S

OPTIONAL LEFT SIDE BROOM

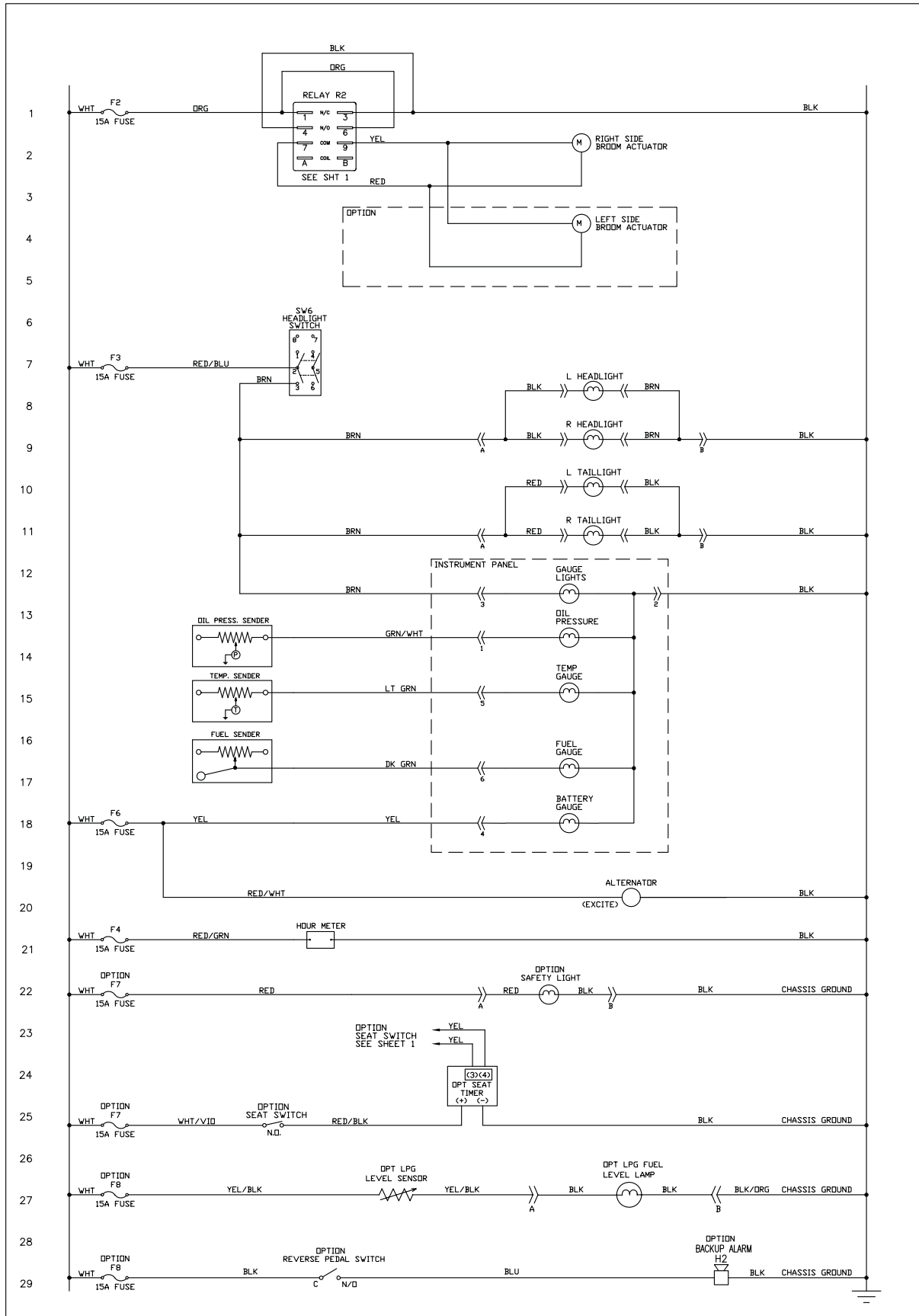


OPTIONAL LEFT SIDE BROOM			
ITEM	PART NO.	QTY	DESCRIPTION
1	3300306	1	SIDE BROOM-24"
2	3300526	3	BUMPER - 1/4 ID X 1/8 THK
3	3301262	1	PLT-GIMBLE SCRUB BRUSH PNTD
4	3339696	1	BAR - CURB BROOM RETAINER LH
5	3313212	1	SW-62 GAS/DSL PNTD. ASSY-GIMB
6	3316897	1	MOTOR-HYD CURB BROOM
7	3318885	1	CABLE-CURB BRM LIFT 62/72
8	3321242	1	ARM ASSY LH SW/62
9	3321243	1	MNT-CURB BROOM MTR SW/62
10	3400030	7	SCREW-HHM 3/8-16 X 1.0 LG ZP
11	3400042	2	SCR-HEX 1/4-20X.75 ZP
12	3400049	1	SCR=SOC 1/4-20 X .75 ZP
13	3400069	1	NUT-HEX 5/16-24 ZP
14	3400079	3	NUT-HEX 3/8-16 ES ZP
15	3400081	2	NUT-HEX 1/4-20 ES ZP
16	3400101	4	WASHER-LOCK 3/8 SPLIT ZP
17	3400151	2	FTG-7/8-14 STOR TO 3/4-16 JIC
18	3400178	2	BEARING-THRUST .531 ID X 1.00
19	3400233	1	WASHER 5/16 ID 1.0 OD X .065
20	3400278	2	WASHER-FENDER 3/8 ZP
21	3400383	1	WASHER CONICAL SPRING 1/4
22	3400420	1	NUT-HEX 5/16-24 ES

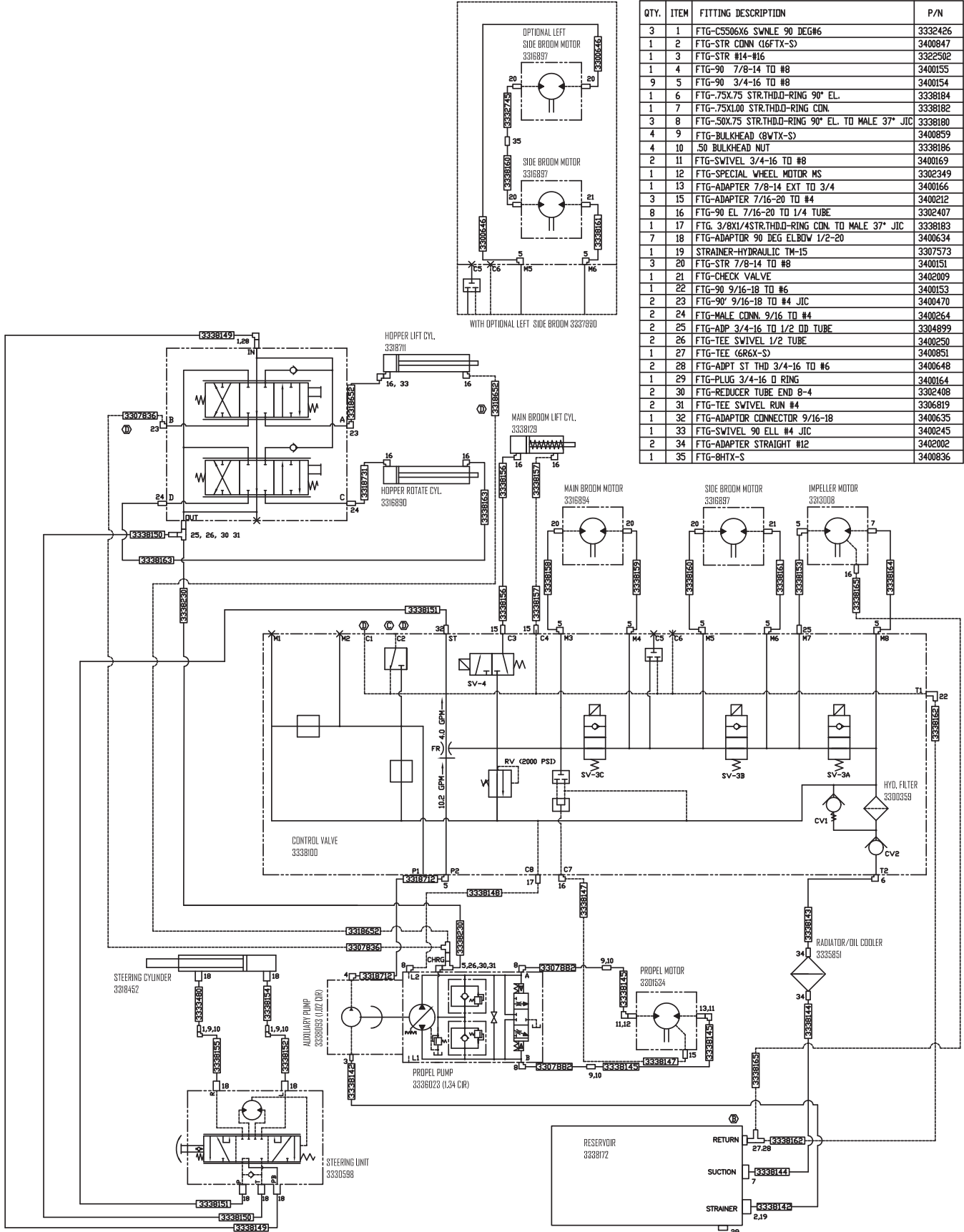


ELECTRONIC SCHEMATIC 3338222 (REV. B)

(PAGE 2 OF 2)



HYDRAULIC SCHEMATIC 3338146 (REV. E)



QTY.	ITEM	FITTING DESCRIPTION	P/N
3	1	FTG-C5506X6 SWNLE 90 DEG#6	3332426
1	2	FTG-STR CONN (16FTX-S)	3400847
1	3	FTG-STR #14-#16	3322502
1	4	FTG-90 7/8-14 TO #8	3400155
9	5	FTG-90 3/4-16 TO #8	3400154
1	6	FTG-75X.75 STR.THDD-RING 90° EL.	3338184
1	7	FTG-75X1.00 STR.THDD-RING CON.	3338182
3	8	FTG-50X.75 STR.THDD-RING 90° EL. TO MALE 37° JIC	3338180
4	9	FTG-BULKHEAD (8WTX-S)	3400859
4	10	.50 BULKHEAD NUT	3338186
2	11	FTG-SWIVEL 3/4-16 TO #8	3400169
1	12	FTG-SPECIAL WHEEL MOTOR MS	3302349
1	13	FTG-ADAPTER 7/8-14 EXT TO 3/4	3400166
3	15	FTG-ADAPTER 7/16-20 TO #4	3400212
8	16	FTG-90 EL 7/16-20 TO 1/4 TUBE	3302407
1	17	FTG. 3/8X1/4STR.THDD-RING CON. TO MALE 37° JIC	3338183
7	18	FTG-ADAPTER 90 DEG EL.BDW 1/2-20	3400634
1	19	STRAINER-HYDRAULIC TM-15	3307573
3	20	FTG-STR 7/8-14 TO #8	3400151
1	21	FTG-CHECK VALVE	3402009
1	22	FTG-90 9/16-18 TO #6	3400153
2	23	FTG-90° 9/16-18 TO #4 JIC	3400470
2	24	FTG-MALE CONN. 9/16 TO #4	3400264
2	25	FTG-ADP 3/4-16 TO 1/2 OD TUBE	3304899
2	26	FTG-TEE SWIVEL 1/2 TUBE	3400250
1	27	FTG-TEE (6R6X-S)	3400851
2	28	FTG-ADPT ST THD 3/4-16 TO #6	3400648
1	29	FTG-PLUG 3/4-16 O RING	3400164
2	30	FTG-REDUCER TUBE END 8-4	3302408
2	31	FTG-TEE SWIVEL RUN #4	3306199
1	32	FTG-ADAPTER CONNECTOR 9/16-18	3400635
1	33	FTG-SWIVEL 90 ELL #4 JIC	3400245
2	34	FTG-ADAPTER STRAIGHT #12	3402002
1	35	FTG-BHTX-S	3400836

Revision K
Effective December 2015
PowerBoss Made Simple Industrial Limited Warranty

Minuteman International owner of PowerBoss warrants to the original purchaser/user that the product is free from defects in workmanship and materials under normal use. PowerBoss will, at its option, repair or replace without charge, parts that fail under normal use and service when operated and maintained in accordance with the applicable operation and instruction manuals. All warranty claims must be submitted through and approved by factory authorized repair stations.

This warranty does not apply to normal wear, or to items whose life is dependent on their use and care. Parts not manufactured by PowerBoss are covered by and subject to the warranties and/or guarantees of their manufacturers. Please contact Minuteman International for procedures in warranty claims against these manufacturers.

Special warning to purchaser -- Use of replacement parts not manufactured by PowerBoss or its designated licensees, will void all warranties expressed or implied. A potential health hazard exists without original equipment replacement.

All warranted items become the sole property of Minuteman International or PowerBoss or its original manufacturer, whichever the case may be.

PowerBoss disclaims any implied warranty, including the warranty of merchantability and the warranty of fitness for a particular purpose. PowerBoss assumes no responsibility for any special, incidental or consequential damages.

This limited warranty is applicable only in the U.S.A. and Canada, and is extended only to the original user/purchaser of this product. Customers outside the U.S.A. and Canada should contact their local distributor for export warranty policies. PowerBoss is not responsible for costs or repairs performed by persons other than those specifically authorized by PowerBoss. This warranty does not apply to damage from transportation, alterations by unauthorized persons, misuse or abuse of the equipment, use of non-compatible chemicals, or damage to property, or loss of income due to malfunctions of the product. If a difficulty develops with this machine, you should contact the dealer from whom it was purchased.

This warranty gives you specific legal rights, and you may have other rights, which vary from state to state. Some states do not allow the exclusion or limitation of special, incidental or consequential damages, or limitations on how long an implied warranty lasts, so the above exclusions and limitations may not apply to you.

	Travel *	Labor	Parts	Engine	Extended Warranty	Costs
Walk Behind						****
Battery Sweepers	90 Days	36 months	36 months	N/A	N/A	-
IC Sweepers	90 Days	36 months	36 months	Through Eng. Mfg.	N/A	-
Battery Scrubbers	90 Days	24 months	36 months	N/A	N/A	-
Riders						
Battery Scrubbers	90 Days	24 months	36 months or 2000 hr.	N/A	36 months parts + 24 labor (or 3000 Hours)	5%
IC Sweeper/Scrubbers 82 & 90	90 Days	6 months	24 months or 2000 hr.	24 months or 3000 hrs**	36 months parts + 24 months labor (or 3000 Hours) + 180 days travel	5%
I.C. Sweepers 9X, 10X	90 days	6 months	48 months or 3000 hrs.	60 months or 3000 hrs**	48 months parts + 24 months labor (or 3000 Hours) + 180 days travel	5%
NAUTILUS Scrubber	180 Days	24 months	36 months or 2000 hr.	36 months or 2000 hrs**	48 months parts + 24 months labor (or 3000 Hours) + 180 days travel	3%
All Rider, I.C. (excluding APEX series)					<u>Bumper to Bumper</u> 5000 hr max. 48 months parts, 48 months labor, 180 days travel	8%
Exceptions						
Apex Series Sweeper	90 Days	12 months	12 months or 1000 hr.	12 months or 1000 hrs**	24 months parts + 24 months labor (or 2000 Hours)	5%
6X Sweeper	90 Days	6 months	24 months or 2000 hr.	24 months or 2000 hours**	36 months parts + 24 months labor (or 3000 Hours) + 180 day travel	5%

- Tank Bladders** Eight years/ no additional labor Ten years/ no additional labor
- Polyethylene plastic tanks** additional labor
- Batteries** 0-3 months full replacement, 4-12 prorated credit
- Chargers** One-year replacement
- Aftermarket Replacement parts** Ninety days from date of purchase
- *Two-Hour Cap Per Service Call**

****Through Engine Manufacturer. See Section 3 of Warranty Manual for Engine Warranty**

Exceptions * Based Upon Dealer's Certification Status:**

Extended Warranty **MUST** Be Signed Up Within 30 Days of Delivery to End User
(Dealer Has 1Year From Receiving Machine To Sign Up For Extended Warranty)

***All above labor and travel reimbursed at 65% or 75% of the published shop rate.



“The Power of Clean”

**PowerBoss® Is a Full Line Manufacturer of Sweepers and Scrubbers,
for Industrial Facilities.**

PowerBoss®, Minuteman International, Inc. 14N845 U.S. Route 20 Pingree Grove Illinois 60140
Phone: 800-323-9420 www.PowerBoss.com email: tech@powerboss.com

A Member of the Hako Group